



PARTS DIAGRAM



IMPORTANT FOR FUTURE REFERENCE

Please complete this information and retain this manual for the life of the equipment:

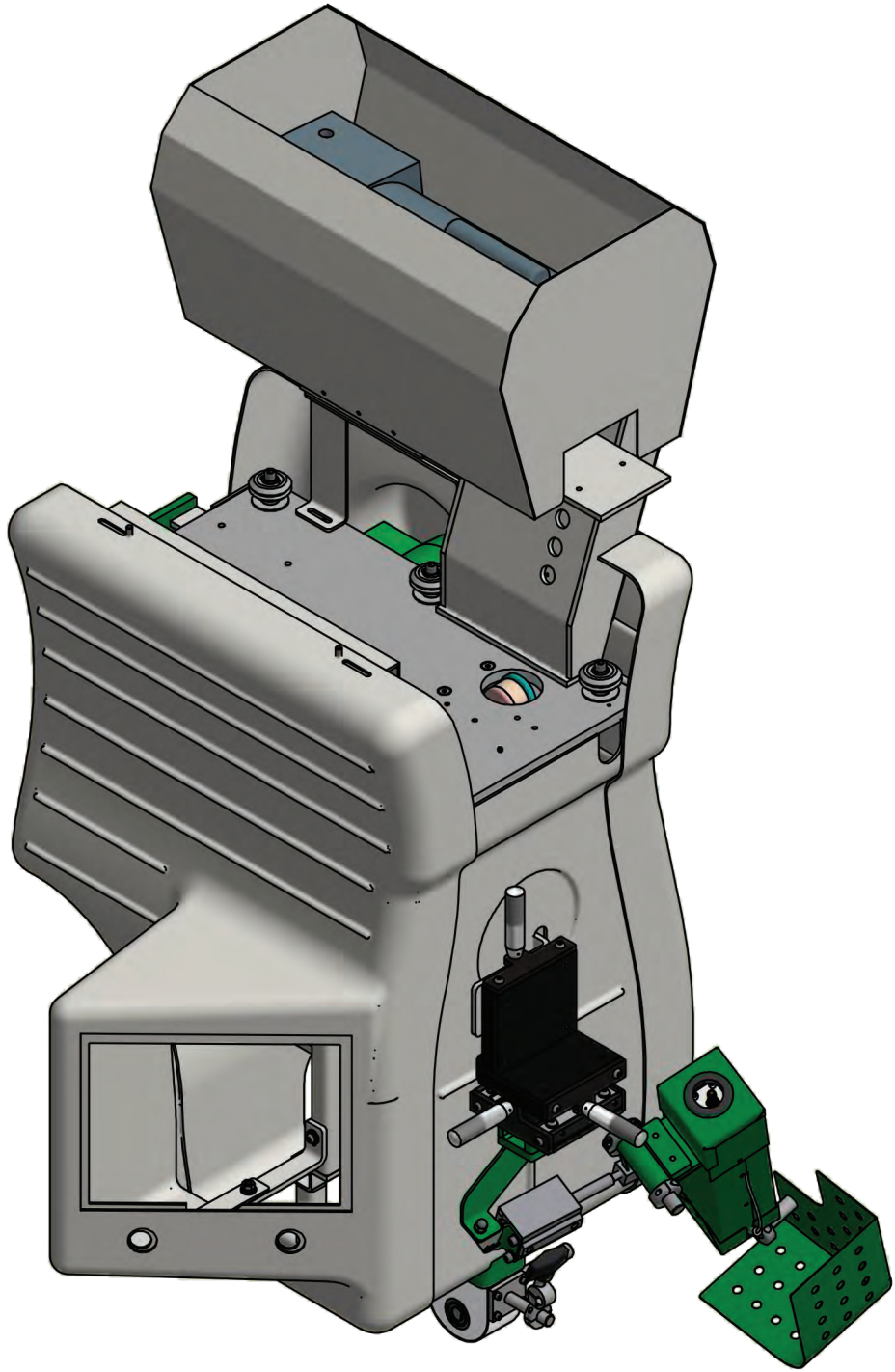
Model #: _____

Serial #: _____

Date Purchased: _____

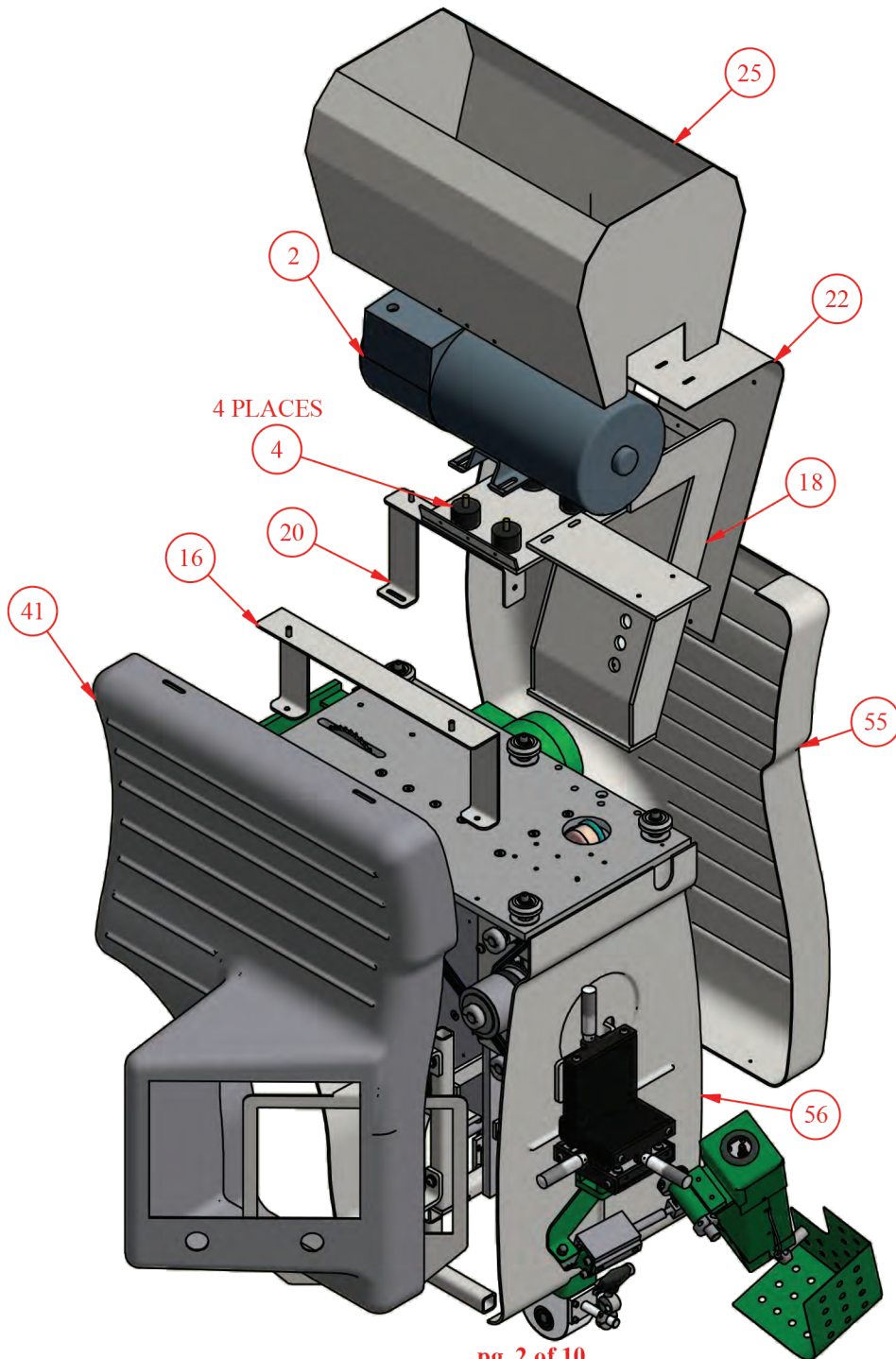


MILLER WELDMASTER
112 EXTREME WELDING HEAD

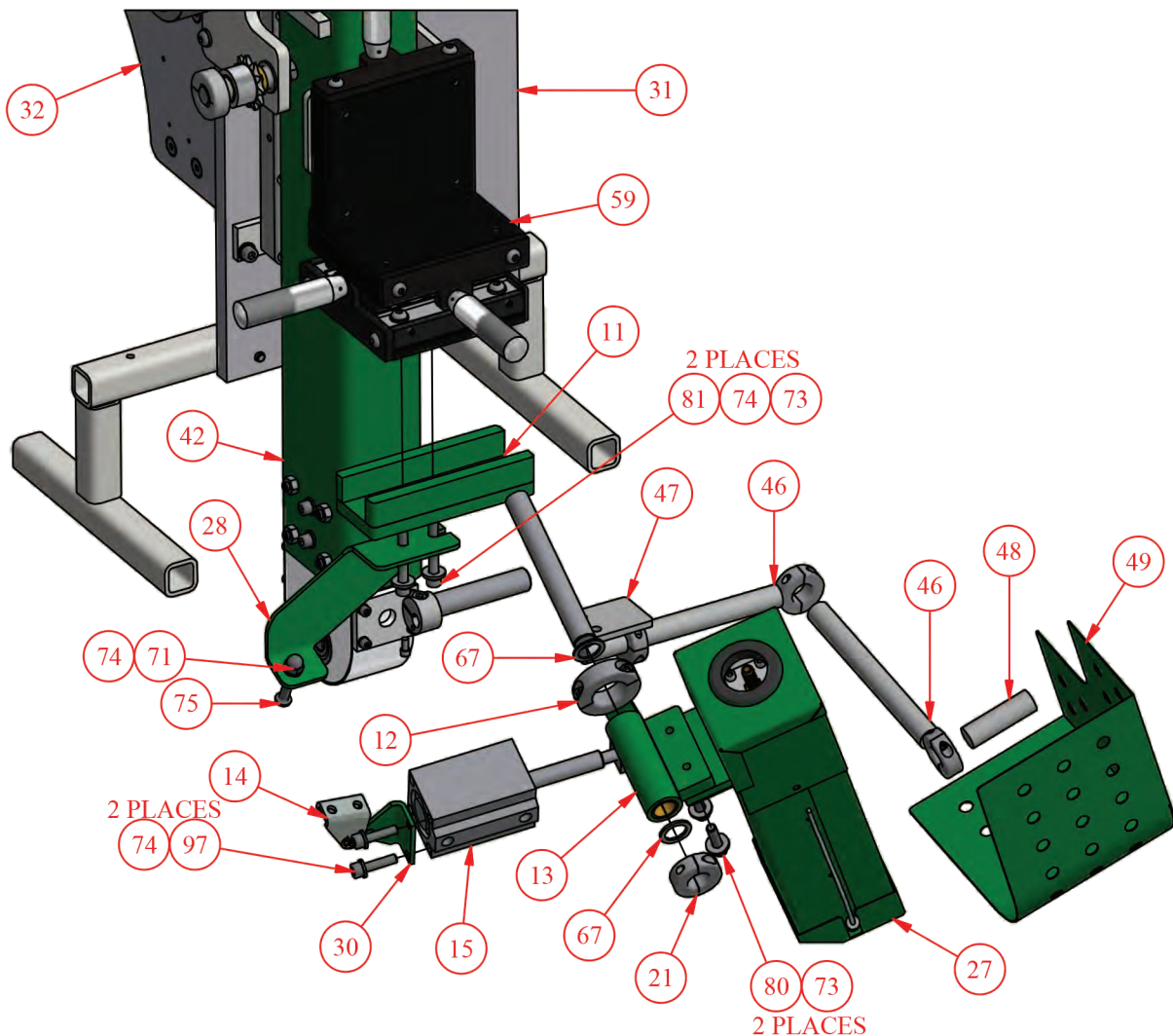


VALID FOR SERIAL NUMBERS;
112EX-XXXX-2004
THRU
112EX-XXXX-4873

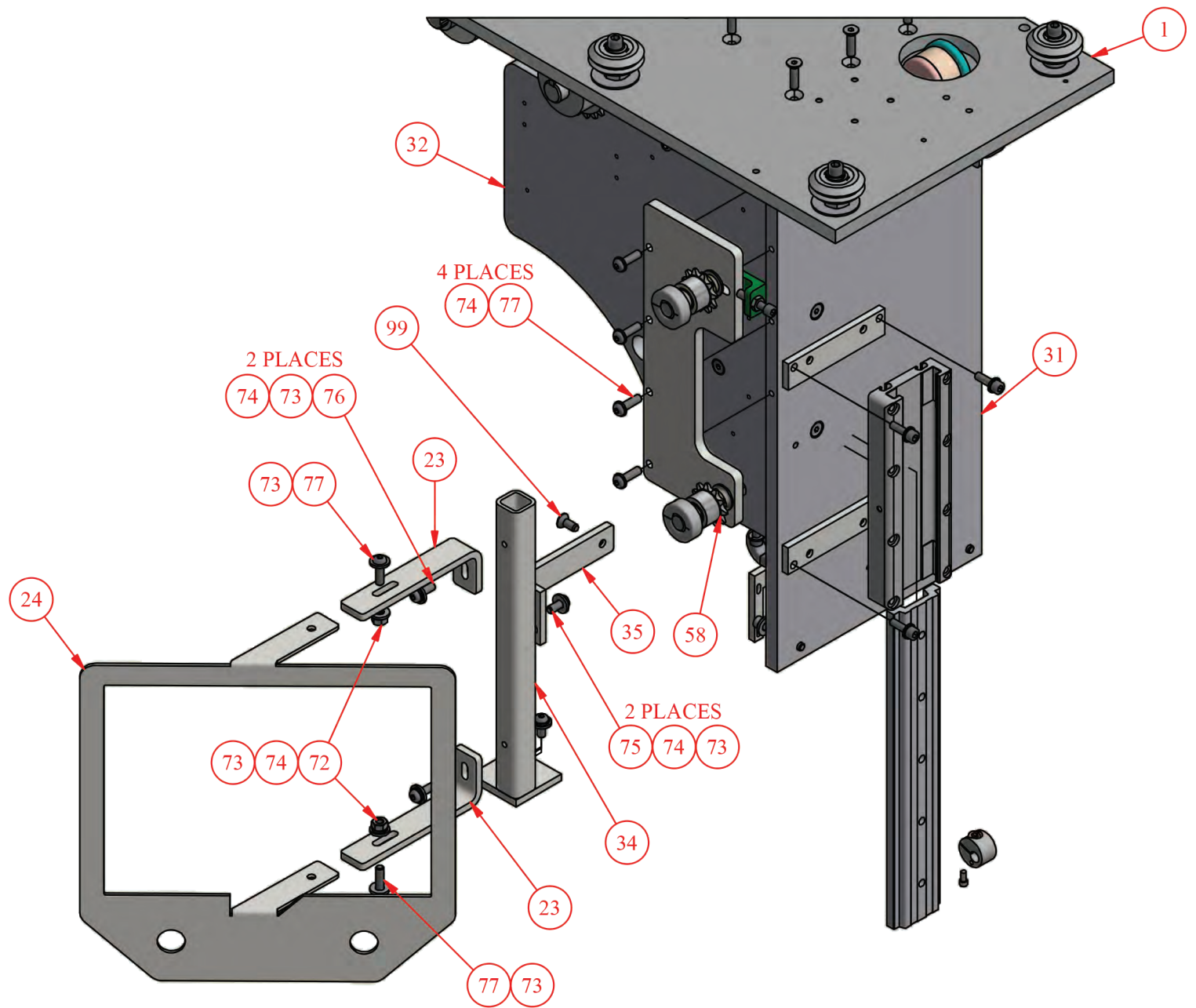
ITEM	ITEM QTY	PART NUMBER	TITLE
2	1	379184	COMPRESSOR
4	4	370261	AIR COMPRESSOR MOUNT
16	1	383930	112 EXTREME SIDE COVER UPPER MOUNTING BRACKET
18	1	383940	112 EXTREME COMPRESSOR MOUNTING BRACKET ASSEMBLY
20	1	383900	112 EXTREME SIDE COVER UPPER MOUNTING BRACKET ASS'Y
22	1	383944	112 EXTREME COMPRESSOR BRACKET WIRE COVER
25	1	383896	112 EXTREME COMPRESSOR COVER
41	1	383360	112 EXTREME HEAD FRONT COVER (HMI)
55	1	383362	112 EXTREME HEAD REAR COVER (MOTOR)
56	1	383364	112 EXTREME HEAD RIGHT SIDE COVER (HEAT SYSTEM)
61	1	388168	RAIL
62	1	388254	CARRIAGE
63	2	383782-2-B	112 EXTREME WELD ROLLER TUBE MOUNTING PLATE
64	1	384232	112 EXTREME CABLE CARRIER MOUNTING PLATE
99	1	FASTENER	CAP SCREW



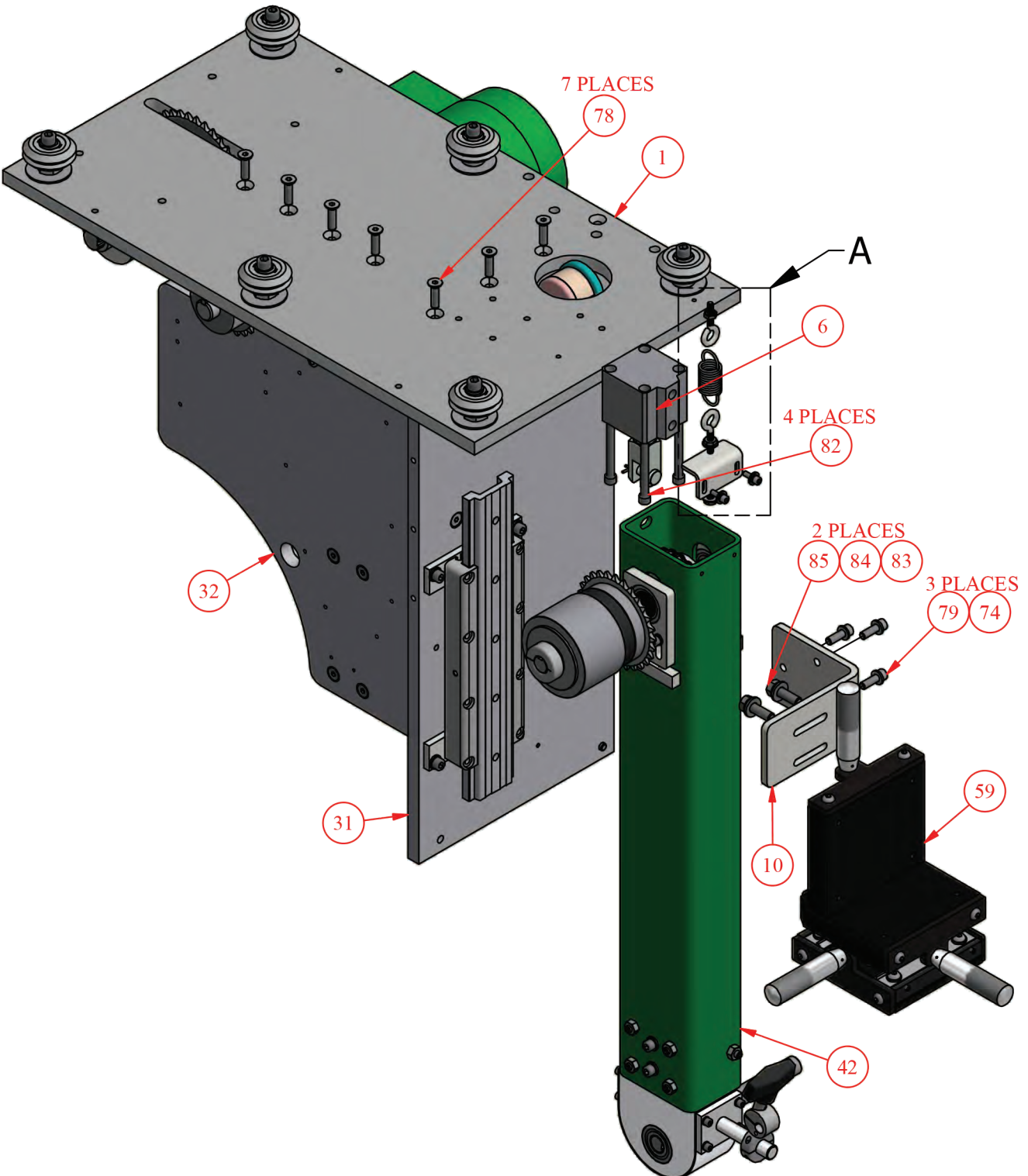
ITEM	QTY	PART NUMBER	TITLE
11	1	383778	HEATING UNIT MOUNTING ROD ASSEMBLY
12	1	383774	112 EXTREME PIVOT ARM ASSEMBLY, UNPAINTED
13	1	383772	HEATING UNIT MOUNTING WELDMENT
14	1	350021	PIVOT BRACKET FOR NOZZLE SWING AIR CYLINDERS
15	1	383798	AIR CYLINDER
21	1	370209	CLAMPING COLLAR
27	1	379976	BALL STYLE DUAL ELEMENT HOUSING ASSY. (W/ WRAPS & THERMOCOUPLE)
28	1	384322	112 EXTREME SWING CYLINDER MOUNTING BRACKET
30	1	383886	112 EXTREME CYLINDER MOUNTING BRACKET
31	1	383914-A	VERTICAL SLIDE MOUNTING PLATE
32	1	383936-A	GUSSET PLATE, 112EX HEAD
42	1	112EXUDA	112EXTREME UPPER DRIVE ASSEMBLY
46	2	384020	112 EXTREME HEAT SWING GUARD MOUNTING SHAFT, 6"
47	1	384016	112 EXTREME HEAT SWING GUARD MOUNTING BRACKET
48	1	384014	112 EXTREME HEAT SWING GUARD MOUNTING SHAFT WITH TAPPED HOLE
49	1	384012-A	HEAT SWING GUARD
59	1	384930	MICROMETER
67	2	FASTENER	FLAT WASHER
61	1	388168	RAIL
62	1	388254	CARRIAGE
63	2	383782-2-B	112 EXTREME WELD ROLLER TUBE MOUNTING PLATE
64	1	384232	112 EXTREME CABLE CARRIER MOUNTING PLATE
99	1	FASTENER	CAP SCREW



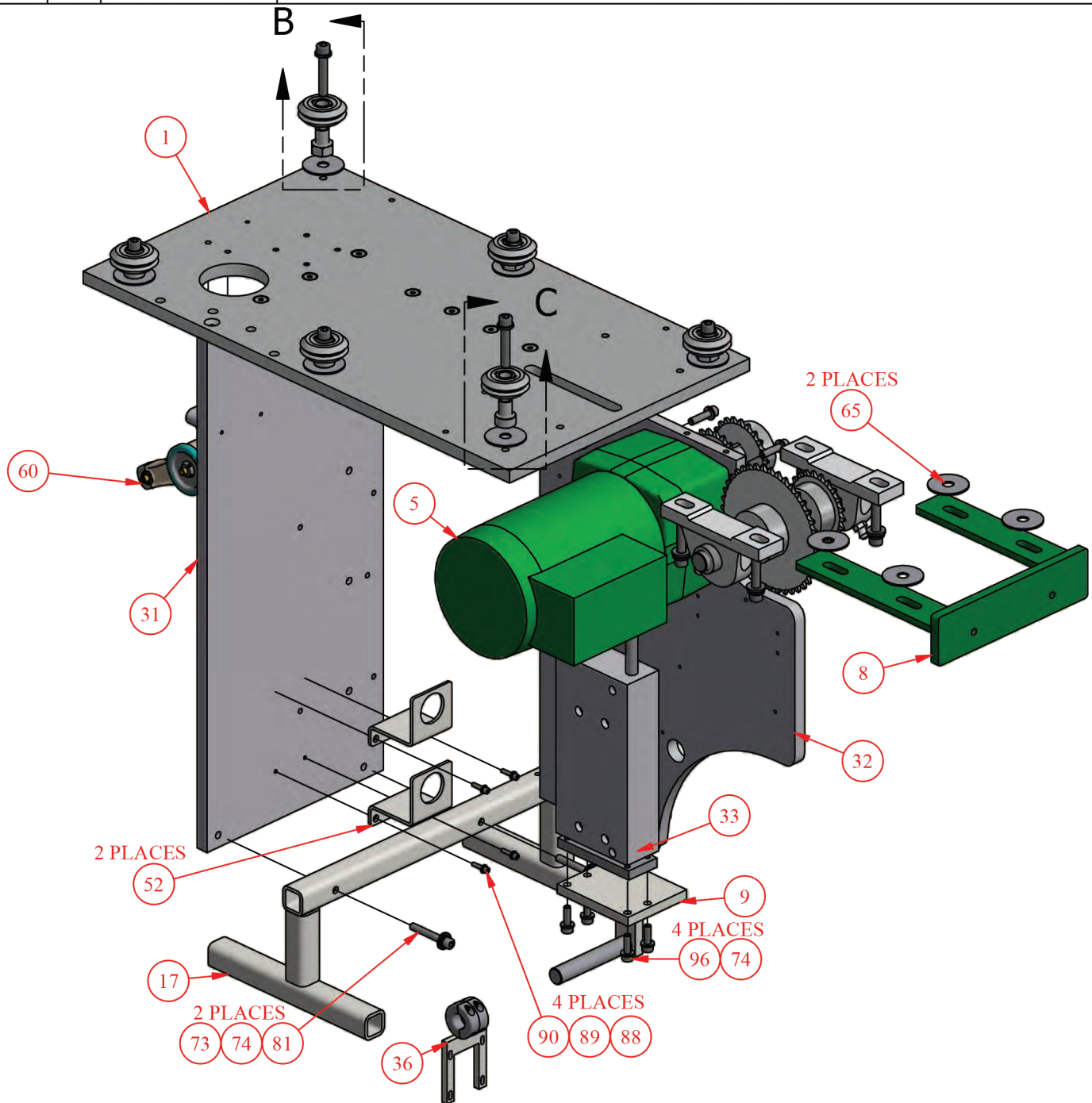
ITEM	ITEM QTY	PART NUMBER	TITLE
1	1	383916-A	V WHEEL MOUNTING PLATE
23	2	383870	112 EXTREME SIDE COVER LOWER MOUNTING BRACKET SUPPORT ARM
24	1	384026	112EX TOUCH SCREEN MOUNT
31	1	383914-A	VERTICAL SLIDE MOUNTING PLATE
32	1	383936-A	GUSSET PLATE, 112EX HEAD
34	1	384781	112EX TOUCH SCREEN MOUNTING BRACKET
35	1	384782	112EX TOUCH SCREEN MOUNTING BRACKET
58	1	112EXIA	112 EXTREME IDLER ASSEMBLY ON WELDING HEAD
61	1	388168	RAIL
62	1	388254	CARRIAGE
63	2	383782-2-B	112 EXTREME WELD ROLLER TUBE MOUNTING PLATE
64	1	384232	112 EXTREME CABLE CARRIER MOUNTING PLATE
99	1	FASTENER	CAP SCREW



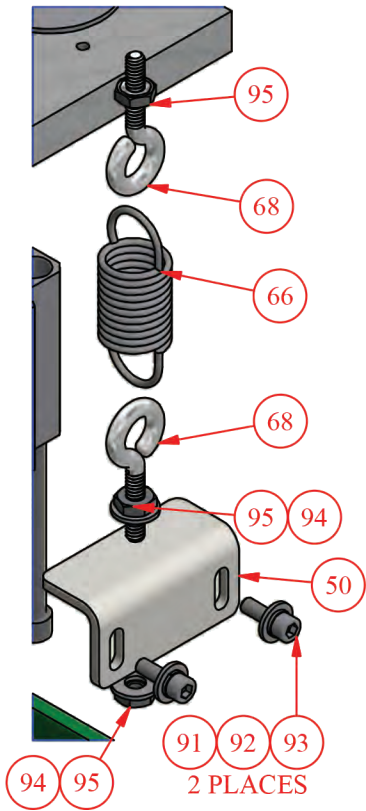
ITEM	QTY	PART NUMBER	TITLE
1	1	383916-A	V WHEEL MOUNTING PLATE
6	1	383334	AIR CYLINDER
10	1	383776	112 EXTERME HEAT SYSTEM MOUNTING BRACKET
31	1	383914-A	VERTICAL SLIDE MOUNTING PLATE
32	1	383936-A	GUSSET PLATE, 112EX HEAD
42	1	112EXUDA	112EXTREME UPPER DRIVE ASSEMBLY
59	1	384930	MICROMETER
61	1	388168	RAIL
62	1	388254	CARRIAGE
63	2	383782-2-B	112 EXTREME WELD ROLLER TUBE MOUNTING PLATE
64	1	384232	112 EXTREME CABLE CARRIER MOUNTING PLATE
99	1	FASTENER	CAP SCREW



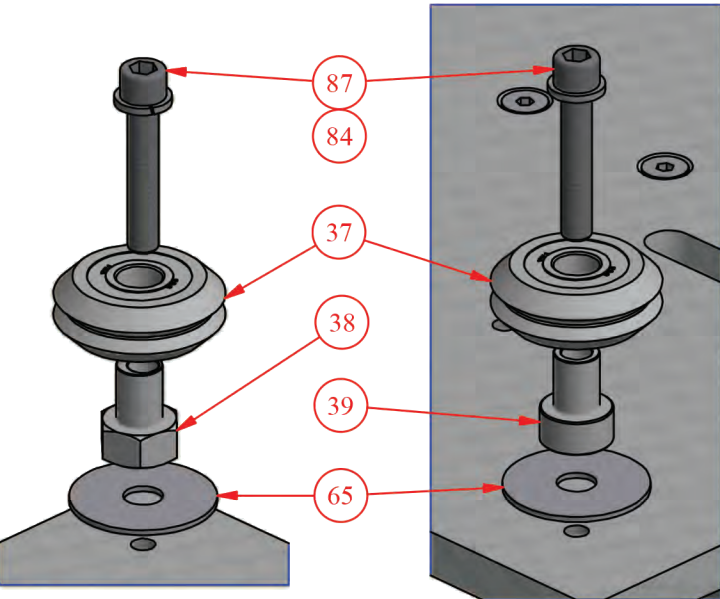
ITEM	QTY	PART NUMBER	TITLE
5	1	381183	MOTOR
8	1	383788-A	112 EXTREME PILLOW BLOCK SPACER ASSEMBLY
9	1	383992-A	112 EXTREME CUTTER AIR SLIDE ADAPTOR ASS'Y
17	1	384780	112EX SIDE COVER LOWER MOUNTING BRACKET
31	1	383914-A	VERTICAL SLIDE MOUNTING PLATE
32	1	383936-A	GUSSET PLATE, 112EX HEAD
33	1	384814	AIR SLIDE
36	1	384596	ELECTRIC CUTTER
65	10	FASTENER	FENDER WASHER
52	2	379071	AIR REGULATOR MOUNTING BRACKET
60	1	384804	ENCODER
61	1	388168	RAIL
62	1	388254	CARRIAGE
63	2	383782-2-B	112 EXTREME WELD ROLLER TUBE MOUNTING PLATE
64	1	384232	112 EXTREME CABLE CARRIER MOUNTING PLATE
99	1	FASTENER	CAP SCREW



DETAIL A SCALE 1/2



ITEM	ITEM QTY	PART NUMBER	TITLE
50	1	379841	DOOR STOP ANGLE
68	2	FASTENER	EYEBOLT
66	1	SPRING	SPRING
91	2	FASTENER	FLAT WASHER
92	2	FASTENER	LOCK WASHER
93	2	FASTENER	CAP SCREW
94	2	FASTENER	FLAT WASHER
95	3	FASTENER	HEX NUT
61	1	388168	RAIL
62	1	388254	CARRIAGE
63	2	383782-2-B	112 EXTREME WELD ROLLER TUBE MOUNTING PLATE
64	1	384232	112 EXTREME CABLE CARRIER MOUNTING PLATE
99	1	FASTENER	CAP SCREW

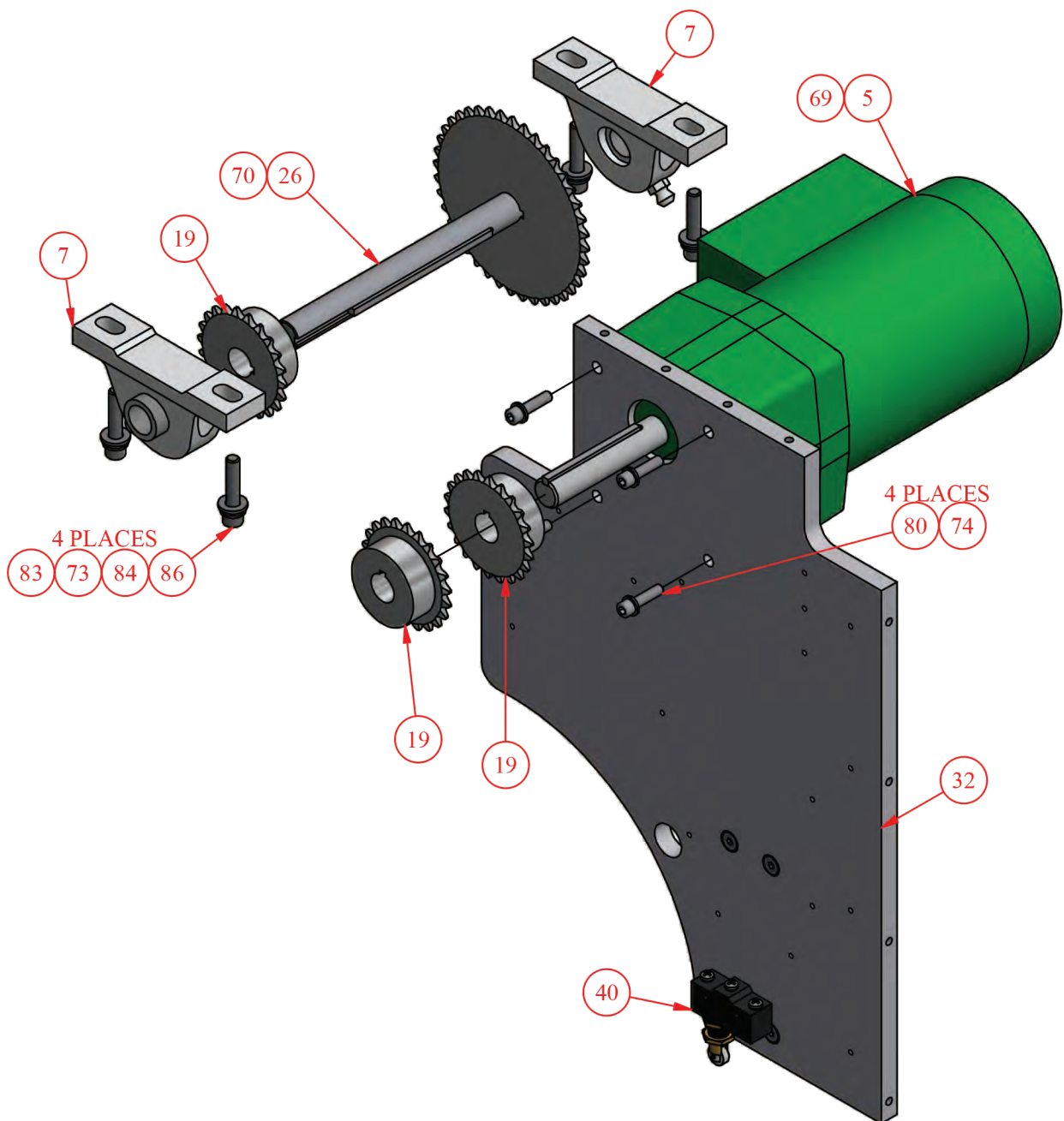


DETAIL B
SCALE 1/2
3 PLACES

DETAIL C
SCALE 1/2
3 PLACES

ITEM	ITEM QTY	PART NUMBER	TITLE
37	6	383380	V-WHEEL
38	3	370073	V-WHEEL BUSHING
39	3	370069	V-WHEEL BUSHING
65	10	FASTENER	FENDER WASHER
84	12	FASTENER	LOCK WASHER
87	6	FASTENER	CAP SCREW
61	1	388168	RAIL
62	1	388254	CARRIAGE
63	2	383782-2-B	112 EXTREME WELD ROLLER TUBE MOUNTING PLATE
64	1	384232	112 EXTREME CABLE CARRIER MOUNTING PLATE
99	1	FASTENER	CAP SCREW

ITEM	ITEM QTY	PART NUMBER	TITLE
3	1	370028	SPROCKET
5	1	381183	MOTOR
7	2	370062	BEARING
19	3	370019	SPROCKET
26	1	383942	112 EXTREME MAIN DRIVE SHAFT
32	1	383936-A	GUSSET PLATE, 112EX HEAD
40	1	330093	MICRO SWITCH
69	1	112EXWH-A_key1	KEYSTOCK
70	1	112EXWH-A_key2	KEYSTOCK
61	1	388168	RAIL
62	1	388254	CARRIAGE
63	2	383782-2-B	112 EXTREME WELD ROLLER TUBE MOUNTING PLATE
64	1	384232	112 EXTREME CABLE CARRIER MOUNTING PLATE
99	1	FASTENER	CAP SCREW

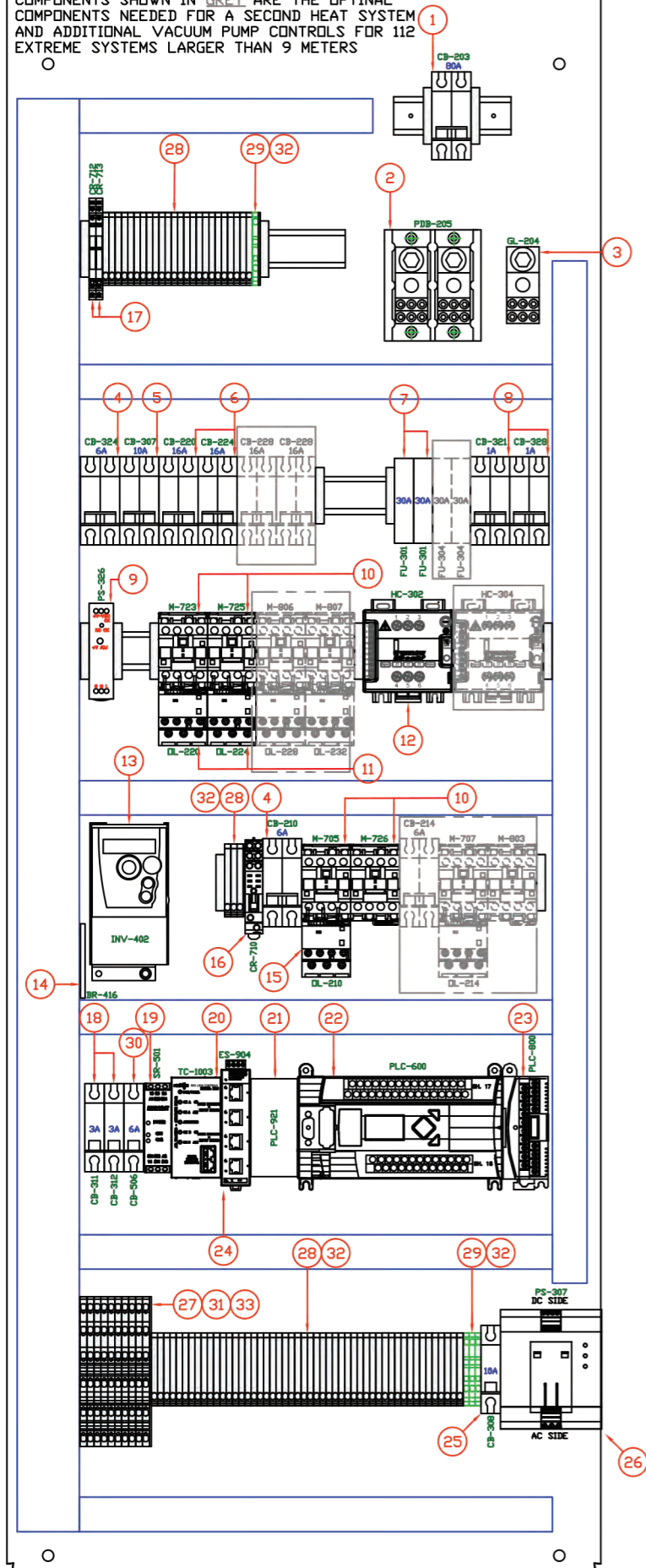


ITEM	QTY	PART NUMBER	TITLE
1	1	383916-A	V WHEEL MOUNTING PLATE
2	1	379184	COMPRESSOR
3	1	370028	SPROCKET
4	4	370261	AIR COMPRESSOR MOUNT
5	1	381183	MOTOR
6	1	383334	AIR CYLINDER
7	2	370062	BEARING
8	1	383788-A	112 EXTREME PILLOW BLOCK SPACER ASSEMBLY
9	1	383992-A	112 EXTREME CUTTER AIR SLIDE ADAPTOR ASS'Y
10	1	383776	112 EXTERME HEAT SYSTEM MOUNTING BRACKET
11	1	383778	HEATING UNIT MOUNTING ROD ASSEMBLY
12	1	383774	112 EXTREME PIVOT ARM ASSEMBLY, UNPAINTED
13	1	383772	HEATING UNIT MOUNTING WELDMENT
14	1	350021	PIVOT BRACKET FOR NOZZLE SWING AIR CYLINDERS
15	1	383798	AIR CYLINDER
16	1	383930	112 EXTREME SIDE COVER UPPER MOUNTING BRACKET
17	1	384780	112EX SIDE COVER LOWER MOUNTING BRACKET
18	1	383940	112 EXTREME COMPRESSOR MOUNTING BRACKET ASSEMBLY
19	3	370019	SPROCKET
20	1	383900	112 EXTREME SIDE COVER UPPER MOUNTING BRACKET ASS'Y
21	1	370209	CLAMPING COLLAR
22	1	383944	112 EXTREME COMPRESSOR BRACKET WIRE COVER
23	2	383870	112 EXTREME SIDE COVER LOWER MOUNTING BRACKET SUPPORT ARM
24	1	384026	112EX TOUCH SCREEN MOUNT
25	1	383896	112 EXTREME COMPRESSOR COVER
26	1	383942	112 EXTREME MAIN DRIVE SHAFT
27	1	379976	BALL STYLE DUAL ELEMENT HOUSING ASSY. (W/ WRAPS & THERMOCOUPLE)
28	1	384322	112 EXTREME SWING CYLINDER MOUNTING BRACKET
29	1	382116	ROD CLEVIS
30	1	383886	112 EXTREME CYLINDER MOUNTING BRACKET
31	1	383914-A	VERTICAL SLIDE MOUNTING PLATE
32	1	383936-A	GUSSET PLATE, 112EX HEAD
33	1	384814	AIR SLIDE
34	1	384781	112EX TOUCH SCREEN MOUNTING BRACKET
35	1	384782	112EX TOUCH SCREEN MOUNTING BRACKET
36	1	384596	ELECTRIC CUTTER
37	6	383380	V-WHEEL
38	3	370073	V-WHEEL BUSHING
39	3	370069	V-WHEEL BUSHING
40	1	330093	MICRO SWITCH
41	1	383360	112 EXTREME HEAD FRONT COVER (HMI)
42	1	112EXUDA	112EXTREME UPPER DRIVE ASSEMBLY
43	1	350005	WELD ROLLER/OUTBOARD & INBOARD PULLER AIR CYL. ROD CLEVIS
44	2	330305	HOT AIR HEAT ELEMENT
45	1	321607	ALUMINUM DUAL ELEMENT HOUSING TOP AIR MANIFOLD ASSEMBLY
46	2	384020	112 EXTREME HEAT SWING GUARD MOUNTING SHAFT, 6"
47	1	384016	112 EXTREME HEAT SWING GUARD MOUNTING BRACKET
48	1	384014	112 EXTREME HEAT SWING GUARD MOUNTING SHAFT WITH TAPPED HOLE
49	1	384012-A	HEAT SWING GUARD
50	1	379841	DOOR STOP ANGLE
51	1	384810	ENCODER MOUNT
52	2	379071	AIR REGULATOR MOUNTING BRACKET

ITEM	QTY	PART NUMBER	TITLE
53	1	112EXWH-A_RC	ROLLER CHAIN
54	1	112EXWH-A_Roller Chain	ROLLER CHAIN
55	1	383362	112 EXTREME HEAD REAR COVER (MOTOR)
56	1	383364	112 EXTREME HEAD RIGHT SIDE COVER (HEAT SYSTEM)
57	1	383366	112 EXTREME HEAD LEFT SIDE COVER (TAPE DISPENSER)
58	1	112EXIA	112 EXTREME IDLER ASSEMBLY ON WELDING HEAD
59	1	384930	MICROMETER
60	1	384804	ENCODER
61	1	388168	RAIL
62	1	388254	CARRIAGE
63	2	383782-2-B	112 EXTREME WELD ROLLER TUBE MOUNTING PLATE
64	1	384232	112 EXTREME CABLE CARRIER MOUNTING PLATE
65	10	FASTENER	FENDER WASHER
66	1	SPRING	SPRING
67	2	FASTENER	FLAT WASHER
68	2	FASTENER	EYEBOLT
69	1	112EXWH-A_key1	KEYSTOCK
70	1	112EXWH-A_key2	KEYSTOCK
71	1	FASTENER	ACORN NUT
72	2	FASTENER	HEX NUT
73	20	FASTENER	FLAT WASHER
74	36	FASTENER	LOCK WASHER
75	5	FASTENER	CAP SCREW
76	2	FASTENER	CAP SCREW
77	6	FASTENER	CAP SCREW
78	11	FASTENER	CAP SCREW
79	3	FASTENER	CAP SCREW
80	6	FASTENER	CAP SCREW
81	4	FASTENER	CAP SCREW
82	4	FASTENER	CAP SCREW
83	6	FASTENER	FLAT WASHER
84	12	FASTENER	LOCK WASHER
85	2	FASTENER	HEX BOLT
86	4	FASTENER	CAP SCREW
87	6	FASTENER	CAP SCREW
88	4	FASTENER	FLAT WASHER
89	4	FASTENER	LOCK WASHER
90	4	FASTENER	CAP SCREW
91	2	FASTENER	FLAT WASHER
92	2	FASTENER	LOCK WASHER
93	2	FASTENER	CAP SCREW
94	2	FASTENER	FLAT WASHER
95	3	FASTENER	HEX NUT
96	8	FASTENER	CAP SCREW
97	2	FASTENER	CAP SCREW
98	4	FASTENER	CAP SCREW
99	1	FASTENER	CAP SCREW

Top

COMPONENTS SHOWN IN GREY ARE THE OPTIMAL COMPONENTS NEEDED FOR A SECOND HEAT SYSTEM AND ADDITIONAL VACUUM PUMP CONTROLS FOR 112 EXTREME SYSTEMS LARGER THAN 9 METERS



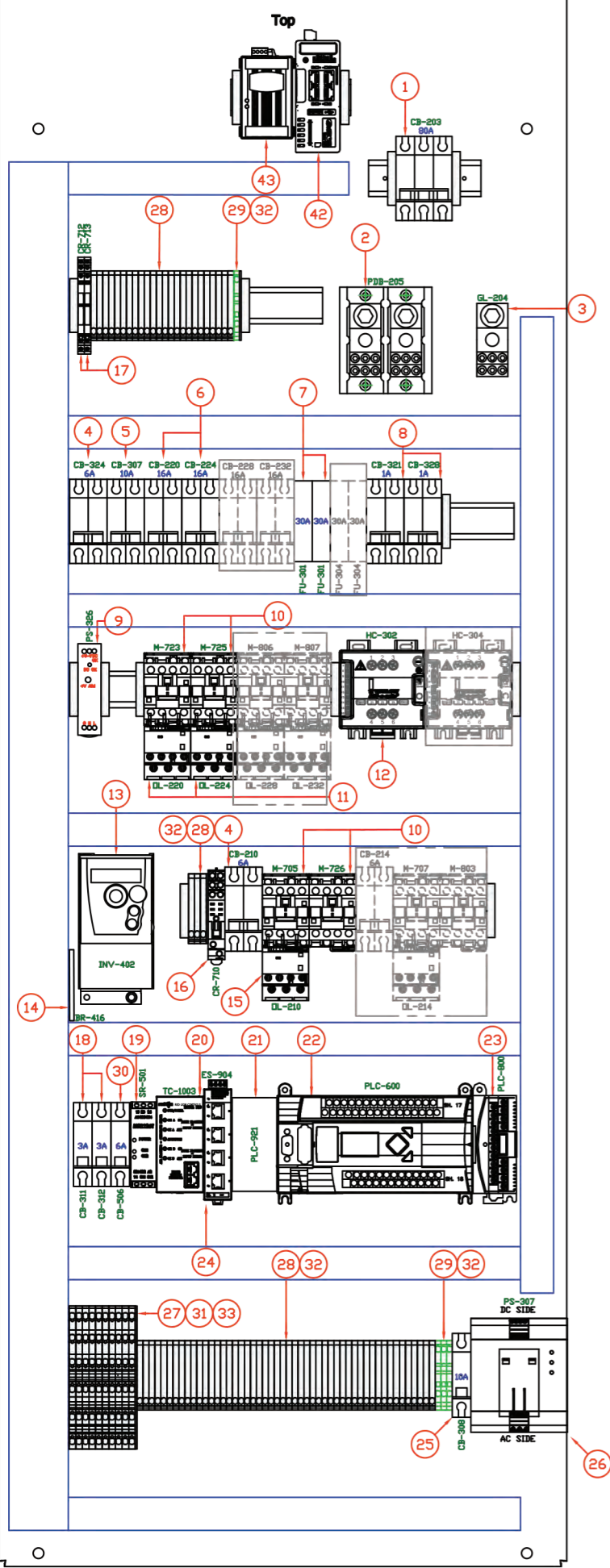
ITEM NO.	QTY	PART NUMBER	MANUFACTURER	DESCRIPTION	LOC	COMPONENT TAG	ITEM NO.	QTY	PART NUMBER	MANUFACTURER	DESCRIPTION	LOC	COMPONENT TAG
1	1	380651	MILLER WELDMASTER	CIRCUIT BREAKER, 2 POLE, 80A	VH6	CB-203	34	111"	379392	MILLER WELDMASTER	35MM DIN RAIL, 79" LENGTHS	W	
2	1	379508 379509	MILLER WELDMASTER	2 POLE POWER DISTRIBUTION BLOCK, 335A WITH COVER	VB3	PDB-205	35	18	380219	MILLER WELDMASTER	35MM DIN RAIL END ANCHOR	VB4	
3	1	389506	MILLER WELDMASTER	SINGLE POLE GROUND LUG	VB3	GL-204	36	1	383341	MILLER WELDMASTER	112 EXTREME 18", CAT6 BLUE PATCH CABLE	VC3	
4	2	383143	MILLER WELDMASTER	CIRCUIT BREAKER, 2 POLE, 6A, D-CURVE	VH8	CB-210,214 CB-324	37	156"	384958	MILLER WELDMASTER	PANDUIT 1" X 3" WIRE WAY, GREY	WW	
5	1	383149	MILLER WELDMASTER	CIRCUIT BREAKER, 2 POLE, 10A, D-CURVE	VH7	CB-307	38	156"	384952	MILLER WELDMASTER	PANDUIT 1" WIRE WAY COVER, GREY	VMI	
6	2	384058	MILLER WELDMASTER	CIRCUIT BREAKER, 2 POLE, 16A, D-CURVE	VH2	CB-220,224 CB-228,232	39	72"	384960	MILLER WELDMASTER	PANDUIT 2" X 3" WIRE WAY, GREY	WW	
7	2	380039 380105	MILLER WELDMASTER	FUSE HOLDER, 30A, WITH INDICATOR LIGHT WITH ONE 30A FNM FUSE	VH3 VBIN	FU-301 FU-304	40	72"	384954	MILLER WELDMASTER	PANDUIT 2" WIRE WAY COVER, GREY	VMI	
8	2	384580	MILLER WELDMASTER	CIRCUIT BREAKER, 2 POLE, 1A, C-CURVE	VH9	CB-321 CB-328	41	19"	384964	MILLER WELDMASTER	PANDUIT TYPE FL FLEXIBLE WIRING DUCT, .49" X .49" X 19.7" LONG (DINOSAUR DUCT)	WW4	
9	1	386546	MILLER WELDMASTER	5VDC POWER SUPPLY, 3A	VC5	PS-326							
10	4	384865	MILLER WELDMASTER	CONTACTOR, D-LINE, 25A, 24VDC COIL	VD4	M-705,707,723 M-725,726,803 M-806,807							
11	2	LRD16	MILLER WELDMASTER	THERMAL PROTECTION FOR D-LINE CONTACTOR, 9.0-13.0A	NS	OL-220,224 OL-228,232							
12	1	385026	MILLER WELDMASTER	DIN-A-MITE B SINGLE PHASE WATLOW SCR (HEATER RELAY), ZERO CROSS, 4-20mA, 30A, 120-240VAC	VB3	HC-302 HC-304							
13	1	381502	MILLER WELDMASTER	ATV312, 1/4 HP AC DRIVE (INVERTER)	VE2	INV-400							
14	1	381571 383124	MILLER WELDMASTER	DYNAMIC BRAKING RESISTOR, 50 OHM, 50W WITH MOUNTING BRACKET	VE3 LM4	BR-416							
15	1	384867	MILLER WELDMASTER	THERMAL PROTECTION FOR D-LINE CONTACTOR, 4-6A	XD5	OL-210 OL-214							
16	1	330708 384612	MILLER WELDMASTER	OMRON, 2 POLE, 6A RELAY, 24VDC COIL WITH OMRON CONTROL RELAY SOCKET	VC4	CR-710							
17	2	388580	MILLER WELDMASTER	WAGO, 1 POLE RELAY, 24VDC COIL	VC4	CR-712 CR-713							
18	2	384209	MILLER WELDMASTER	CIRCUIT BREAKER, 1 POLE, 3A, C-CURVE	VH2	CB-311 CB-312							
19	1	384638	MILLER WELDMASTER	SAFETY RELAY, MINOTAUR, MSR126T, 24V AC/DC, 2N.O., 22.5mm	VC4	SR-501							
20	1	383686 384244	MILLER WELDMASTER	RED LION ANALOG TEMPERATURE CONTROLLER WITH 112 EXTREME RED LION 4PT CONNECTOR, RJ11	VG6 VC2	TC-1003							
21	1	383682	MILLER WELDMASTER	ALLEN BRADLEY 485 TO ML1100 COMMUNICATION CABLE	VC2	PLC-921							
22	1	384518	MILLER WELDMASTER	ALLEN BRADLEY ML1400 PLC BASE UNIT	VC2	PLC-600							
23	1	383678	MILLER WELDMASTER	ALLEN BRADLEY, MICROLOGIX, PLC 16PT DC OUTPUT CARD	VC2	PLC-800							
24	1	382712	MILLER WELDMASTER	5 PORT UNMANAGED SWITCH (ETHERNET SWITCH HUB)	VC2	ES-904							
25	1	383148	MILLER WELDMASTER	CIRCUIT BREAKER, 1 POLE, 10A, D-CURVE	VH2	CB-308							
26	1	389290	MILLER WELDMASTER	WAGO POWER SUPPLY, 24VDC @ 10A	VC1	PS-308							
27	10	384510	MILLER WELDMASTER	ALLEN BRADLEY DIN RAIL 3-STACK TERMINAL BLOCK, SPRING CAGE	VB4								
28	81	384512	MILLER WELDMASTER	ALLEN BRADLEY ONE CIRCUIT FEED THROUGH BLOCK, 2.5MM MAX WIRE, GREY	VB4								
29	4	383966	MILLER WELDMASTER	ONE CIRCUIT FEED THROUGH GROUND BLOCK, 2.5MM MAX WIRE, GREEN/YELLOW	VB4								
30	1	384211	MILLER WELDMASTER	CIRCUIT BREAKER, 1 POLE, 6A, D-CURVE	VH2	CB-506							
31	1	383302	MILLER WELDMASTER	DIN RAIL END BARRIER, GREY, USED ON 384510	VB4								
32	4	383312	MILLER WELDMASTER	DIN RAIL END BARRIER, GREY	VB4								
33	3	383304	MILLER WELDMASTER	ALLEN BRADLEY CENTER JUMPER, 5MM CENTER TO CENTER, 10 POLE, YELLOW	VB4								

ATTENTION: THIS DRAWING AND ALL INFORMATION CONTAINED HEREIN IS THE SOLE AND EXCLUSIVE PROPERTY OF MILLER WELDMASTER CORP. ANY UNAUTHORIZED USE, REPRODUCTION, OR DISPLAY MAY BE SUBJECT TO LEGAL ACTION. MILLER WELDMASTER CORP. RESERVES THE RIGHT TO DEMAND RETURN OF THIS DOCUMENT AT ANY TIME.
© MILLER WELDMASTER CORP. 2011

MILLER WELDMASTER CORPORATION
 4220 ALABAMA AVE SW
 NAVARRA, OH 44662-9618
 P: 330-833-6739 F: 330-837-2828

CAD DWG FILE T:\FILES NOT VAULTED\112EX1PH2H4V\112EX1PH2H4V_2\112MCP_PANEL_1PH_2.0.DWG

CUSTOMER: MILLER WELDMASTER
 CUSTOMER: 112 EXTREME X.XM
 JOB NO: E13
 CAL: 112MCP PANEL
 SERIAL NO: 112EX-XXXX-XXXX
 DATE: 6/30/2016
 DWG NO: 13 OF 15
 REVISION: VER 2.0



ITEM NO.	QTY	PART NUMBER	MANUFACTURER	DESCRIPTION	LOC	COMPONENT TAG	ITEM NO.	QTY	PART NUMBER	MANUFACTURER	DESCRIPTION	LOC	COMPONENT TAG
1	1	380651	MILLER WELDMASTER	CIRCUIT BREAKER, 2 POLE, 80A	VH6	CB-203	34	111"	379392	MILLER WELDMASTER	35MM DIN RAIL, 79" LENGTHS	W	
2	1	379508 379509	MILLER WELDMASTER	2 POLE POWER DISTRIBUTION BLOCK, 335A WITH COVER	VB3	PDB-205	35	18	380219	MILLER WELDMASTER	35MM DIN RAIL END ANCHOR	VB4	
3	1	389506	MILLER WELDMASTER	SINGLE POLE GROUND LUG	VB3	GL-204	36	1	383341	MILLER WELDMASTER	112 EXTREME 18", CAT6 BLUE PATCH CABLE	VC3	
4	2	383143	MILLER WELDMASTER	CIRCUIT BREAKER, 2 POLE, 6A, D-CURVE	VH8	CB-210,214 CB-324	37	156"	384958	MILLER WELDMASTER	PANDUIT 1" X 3" WIRE WAY, GREY	WW	
5	1	383149	MILLER WELDMASTER	CIRCUIT BREAKER, 2 POLE, 10A, D-CURVE	VH7	CB-307	38	156"	384952	MILLER WELDMASTER	PANDUIT 1" WIRE WAY COVER, GREY	VMI	
6	2	384058	MILLER WELDMASTER	CIRCUIT BREAKER, 2 POLE, 16A, D-CURVE	VH2	CB-220,224 CB-228,232	39	72"	384960	MILLER WELDMASTER	PANDUIT 2" X 3" WIRE WAY, GREY	WW	
7	2	380039 380105	MILLER WELDMASTER	FUSE HOLDER, 30A, WITH INDICATOR LIGHT WITH ONE 30A FNM FUSE	VH3 VBIN	FU-301 FU-304	40	72"	384954	MILLER WELDMASTER	PANDUIT 2" WIRE WAY COVER, GREY	VMI	
8	2	384580	MILLER WELDMASTER	CIRCUIT BREAKER, 2 POLE, 1A, C-CURVE	VH9	CB-321 CB-328	41	19"	384964	MILLER WELDMASTER	PANDUIT TYPE FL FLEXIBLE WIRING DUCT, .49" X .49" X 19.7" LONG (DINOSAUR DUCT)	WW4	
9	1	386546	MILLER WELDMASTER	5VDC POWER SUPPLY, 3A	VC5	PS-326	42	1	391842	MILLER WELDMASTER	EWON REMOTE VPN	NEW	EWON-912
10	4	384865	MILLER WELDMASTER	CONTACTOR, D-LINE, 25A, 24VDC COIL	VD4	M-705,707,723 M-725,726,803 M-806,807	43	1	391844	MILLER WELDMASTER	POE INJECTOR FOR 1 POE PORT, 24V INPUT, SUPPORTS TEMPERATURES FROM -40 TO 70 DEGREES	NEW	EWON-912
11	2	LRD16	MILLER WELDMASTER	THERMAL PROTECTION FOR D-LINE CONTACTOR, 9.0-13.0A	NS	OL-220,224 OL-228,232							
12	1	385026	MILLER WELDMASTER	DIN-A-MITE B SINGLE PHASE WATLOW SCR (HEATER RELAY), ZERO CROSS, 4-20mA, 30A, 120-240VAC	VB3	HC-302 HC-304							
13	1	381502	MILLER WELDMASTER	ATV312, 1/4 HP AC DRIVE (INVERTER)	VE2	INV-400							
14	1	381571 383124	MILLER WELDMASTER	DYNAMIC BRAKING RESISTOR, 50 OHM, 50W WITH MOUNTING BRACKET	VE3 LM4	BR-416							
15	1	384867	MILLER WELDMASTER	THERMAL PROTECTION FOR D-LINE CONTACTOR, 4-6A	XD5	OL-210 OL-214							
16	1	330708 384612	MILLER WELDMASTER	OMRON, 2 POLE, 6A RELAY, 24VDC COIL WITH OMRON CONTROL RELAY SOCKET	VC4	CR-710							
17	2	388580	MILLER WELDMASTER	WAGO, 1 POLE RELAY, 24VDC COIL	VC4	CR-712 CR-713							
18	2	384209	MILLER WELDMASTER	CIRCUIT BREAKER, 1 POLE, 3A, C-CURVE	VH2	CB-311 CB-312							
19	1	384638	MILLER WELDMASTER	SAFETY RELAY, MINOTAUR, MSR126T, 24V AC/DC, 2N.O., 22.5mm	VC4	SR-501							
20	1	383686 384244	MILLER WELDMASTER	RED LION ANALOG TEMPERATURE CONTROLLER WITH 112 EXTREME RED LION 4PT CONNECTOR, RJ11	VG6 VC2	TC-1003							
21	1	383682	MILLER WELDMASTER	ALLEN BRADLEY 485 TO ML1100 COMMUNICATION CABLE	VC2	PLC-921							
22	1	384518	MILLER WELDMASTER	ALLEN BRADLEY ML1400 PLC BASE UNIT	VC2	PLC-800							
23	1	383678	MILLER WELDMASTER	ALLEN BRADLEY, MICROLOGIX, PLC 16PT DC OUTPUT CARD	VC2	PLC-800							
24	1	382712	MILLER WELDMASTER	5 PORT UNMANAGED SWITCH (ETHERNET SWITCH HUB)	VC2	ES-904							
25	1	383148	MILLER WELDMASTER	CIRCUIT BREAKER, 1 POLE, 10A, D-CURVE	VH2	CB-308							
26	1	389290	MILLER WELDMASTER	WAGO POWER SUPPLY, 24VDC @ 10A	VC1	PS-308							
27	10	384510	MILLER WELDMASTER	ALLEN BRADLEY DIN RAIL 3-STACK TERMINAL BLOCK, SPRING CAGE	VB4								
28	81	384512	MILLER WELDMASTER	ALLEN BRADLEY ONE CIRCUIT FEED THROUGH BLOCK, 2.5MM MAX WIRE, GREY	VB4								
29	4	383966	MILLER WELDMASTER	ONE CIRCUIT FEED THROUGH GROUND BLOCK, 2.5MM MAX WIRE, GREEN/YELLOW	VB4								
30	1	384211	MILLER WELDMASTER	CIRCUIT BREAKER, 1 POLE, 6A, D-CURVE	VH2	CB-506							
31	1	383302	MILLER WELDMASTER	DIN RAIL END BARRIER, GREY, USED ON 384510	VB4								
32	4	383312	MILLER WELDMASTER	DIN RAIL END BARRIER, GREY	VB4								
33	3	383304	MILLER WELDMASTER	ALLEN BRADLEY CENTER JUMPER, 5MM CENTER TO CENTER, 10 POLE, YELLOW	VB4								

COMPONENTS SHOWN IN GREY ARE THE OPTIMAL COMPONENTS NEEDED FOR A SECOND HEAT SYSTEM AND ADDITIONAL VACUUM PUMP CONTROLS FOR 112 EXTREME SYSTEMS LARGER THAN 9 METERS

ATTENTION: THIS DRAWING AND ALL INFORMATION CONTAINED HEREIN IS THE SOLE AND EXCLUSIVE PROPERTY OF MILLER WELDMASTER CORP. ANY UNAUTHORIZED USE, REPRODUCTION, OR DISPLAY MAY BE SUBJECT TO LEGAL ACTION. MILLER WELDMASTER CORP. RESERVES THE RIGHT TO DEMAND RETURN OF THIS DOCUMENT AT ANY TIME.
© MILLER WELDMASTER CORP. 2011

MILLER WELDMASTER CORPORATION

4220 ALABAMA AVE SW
NAVARRE, OH 44662-9618
P: 330-833-6739 F: 330-837-2828

MILLER WELDMASTER
112 EXTREME X.XM
E13
112MCP PANEL

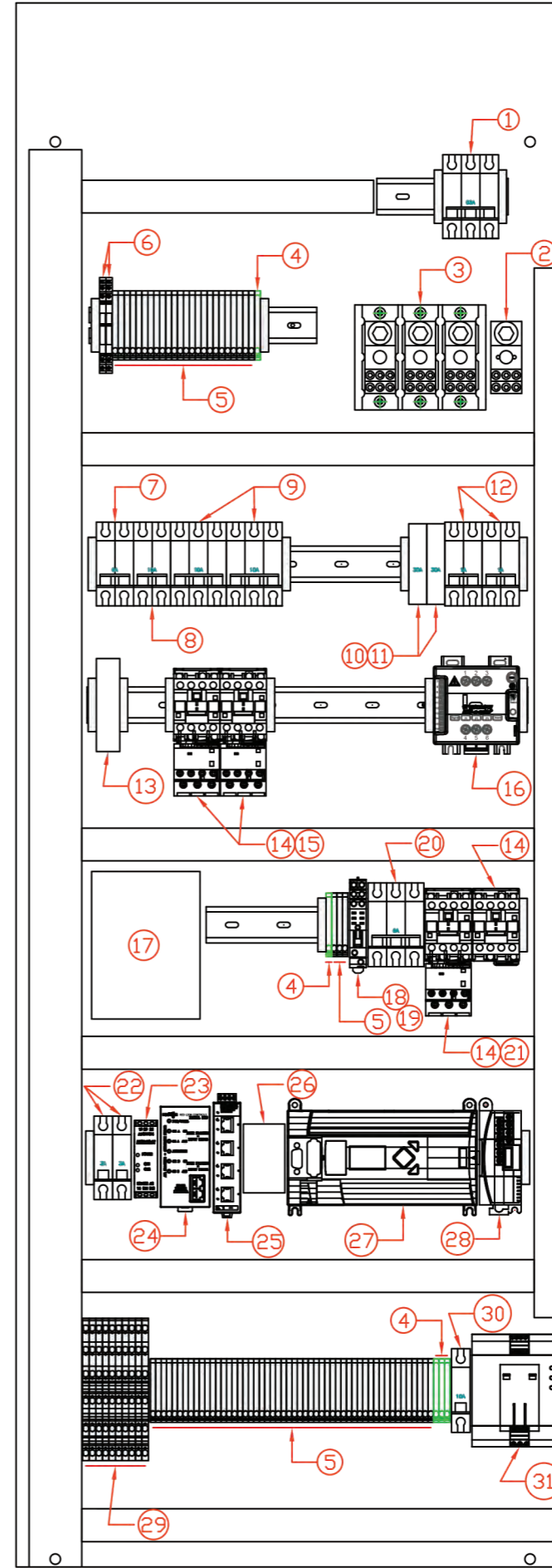
ENGINEER: ETM
DRAWN BY: CAL
DATE: XX/XX/XXXX

CUSTOMER: CUSTOMER
JOB NO: XXXXX
SERIAL NO: 112EX-XXXX-XXXX

DWG NO: 220VAC, 1 PHASE
SHEET NO: 13 OF 15
REVISION: VER 2.1

CAD DWG FILE T:\FILES\NOT VAULTED\112EX1PH2H4V\112EX1PH2H4V_2_1\XXXXX_PANEL.DWG

ITEM NO.	QTY	PART NUMBER	MANUFACTURER	DESCRIPTION	LOC
1	1	380650	MILLER WELDMASTER	CIRCUIT BREAKER, 3 POLE, 63A	VH3
2	1	389506	MILLER WELDMASTER	SINGLE POLE GROUND LUG	VB3
3	1	379510 379511	MILLER WELDMASTER	3 POLE POWER DISTRIBUTION BLOCK, 335A WITH COVER	VB3
4	5	383966	MILLER WELDMASTER	ONE CIRCUIT BEED THROUGH GROUND BLOCK, 2.5MM MAX WIRE, GREEN/YELLOW	VB4
5	76	384512	MILLER WELDMASTER	ALLEN BRADLEY ONE CIRCUIT FEED THROUGH BLOCK, 2.5MM MAX WIRE, GREY	VB4
6	2	388580	MILLER WELDMASTER	WAGO, 1 POLE RELAY, 24VDC COIL	VC4
7	1	383143	MILLER WELDMASTER	CIRCUIT BREAKER, 2 POLE, 6A, D-CURVE	VH8
8	1	383149	MILLER WELDMASTER	CIRCUIT BREAKER, 2 POLE, 10A, D-CURVE	VH8
9	2	383151	MILLER WELDMASTER	CIRCUIT BREAKER, 3 POLE, 10A, D-CURVE	VH5
10	2	380039	MILLER WELDMASTER	FUSE HOLDER, 30A, WITH INDICATING LIGHT	VH3
11	2	380105	MILLER WELDMASTER	30A FUSE, FNM TYPE	V/BIN
12	2	384580	MILLER WELDMASTER	CIRCUIT BREAKER, 2 POLE, 1A, C-CURVE	VH9
13	1	386546	MILLER WELDMASTER	5VDC POWER SUPPLY, 3A	VC5
14	4	384865	MILLER WELDMASTER	TELEMECHANIQUE CONTACTOR	VD4
15	2	384868	MILLER WELDMASTER	THERMAL PROTECTION FOR D-LINE CONTACTOR, 7-10A	VD4
16	1	385026	MILLER WELDMASTER	DIN-A-MITE B SINGLE PHASE WATLOW SCR (HEATER RELAY), ZERO CROSS	VB3
17	1	381502	MILLER WELDMASTER	ATV 312 1/4 HP AC DRIVE (INVERTER)	VE2
18	1	384612	MILLER WELDMASTER	OMRON, 2 POLE, 6A RELAY, 24VDC COIL	VC4
19	1	330708	MILLER WELDMASTER	OMRON RELAY SOCKET	VC4
20	1	384972	MILLER WELDMASTER	CIRCUIT BREAKER, 3 POLE, 6A, D-CURVE	VH5
21	1	384867	SCHNEIDER ELECTRIC	THERMAL PROTECTION FOR D-LINE CONTACTOR, 4-6A	XD5
22	2	384209	MILLER WELDMASTER	CIRCUIT BREAKER, 1 POLE, 3A, C-CURVE	VH2
23	1	384638	MILLER WELDMASTER	SAFETY RELAY, MINOTAUR, MSR126T, 24V AC/DC, 2 NO, 22.5MM CASE	VC4
24	1	383686	MILLER WELDMASTER	RED LION ANALOG TEMPERATURE CONTROLLER	VG6
25	1	382712	MILLER WELDMASTER	5 PORT UNMANAGED SWITCH (ETHERNET SWITCH HUB)	VC2
26	1	383682	MILLER WELDMASTER	ALLEN BRADLEY 485 TO ML1100 COMMUNICATION CABLE	VC2
27	1	384518	MILLER WELDMASTER	ALLEN BRADLEY ML1400 PLC BASE UNIT	VC2
28	1	383678	MILLER WELDMASTER	ALLEN BRADLEY, MICROLOGIX, PLC 16PT DC OUTPUT CARD	VC2
29	10	384510	MILLER WELDMASTER	ALLEN BRADLEY DIN RAIL 3-STACK TERMINAL BLOCK, SPRING CAGE	VB4
30	1	383148	MILLER WELDMASTER	CIRCUIT BREAKER, 1 POLE, 10A, D-CURVE	VH1
31	1	389290	MILLER WELDMASTER	WAGO POWER SUPPLY, 24VDC @ 10A	VC1
32	-	-	-	-	-



CAD DWG FILE T:\FILES\NOT VAULTED\112EX3PH2H4V\112EX3PH2H4V_VERS21\112EX PANEL LAYOUT.DWG

ENGINEER	CUSTOMER
DRAWN BY	MILLER WELDMASTER
CAL	JOB NO
DATE	SERIAL NO
8/25/2015	
DWG NO	REVISION
	13 OF 13

112EX STANDARD
230VAC, 3 PHASE
1 HEAT SYSTEM, NO OPTIONS
PANEL LAYOUT

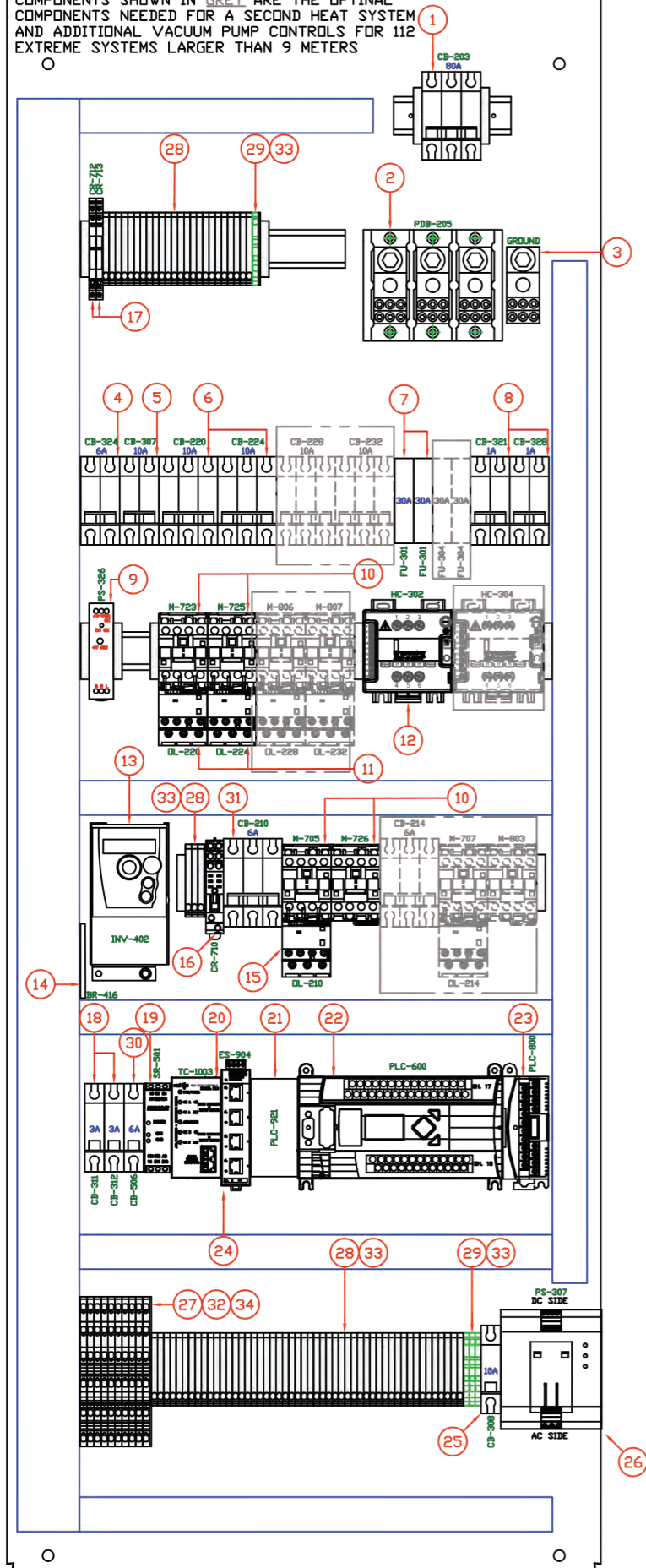
MILLER WELDMASTER CORPORATION

4220 ALABAMA AVE SW
NAVARRE, OH 44662-9618
P: 330-833-6739 F: 330-837-2828

ATTENTION: THIS DRAWING AND ALL INFORMATION CONTAINED HEREIN IS THE SOLE AND EXCLUSIVE PROPERTY OF MILLER WELDMASTER CORP. ANY UNAUTHORIZED USE, REPRODUCTION, OR DISPLAY MAY BE SUBJECT TO LEGAL ACTION. MILLER WELDMASTER CORP. RESERVES THE RIGHT TO DEMAND RETURN OF THIS DOCUMENT AT ANY TIME.
© MILLER WELDMASTER CORP. 2011

Top

COMPONENTS SHOWN IN GREY ARE THE OPTIMAL COMPONENTS NEEDED FOR A SECOND HEAT SYSTEM AND ADDITIONAL VACUUM PUMP CONTROLS FOR 112 EXTREME SYSTEMS LARGER THAN 9 METERS



ITEM NO.	QTY	PART NUMBER	MANUFACTURER	DESCRIPTION	LOC	COMPONENT TAG	ITEM NO.	QTY	PART NUMBER	MANUFACTURER	DESCRIPTION	LOC	COMPONENT TAG
1	1	380652	MILLER WELDMASTER	CIRCUIT BREAKER, 3 POLE, 80A	VH6	CB-203	35	111"	379392	MILLER WELDMASTER	35MM DIN RAIL, 79" LENGTHS	W	
2	1	379510 379511	MILLER WELDMASTER	3 POLE POWER DISTRIBUTION BLOCK, 335A WITH COVER	VB3	PDB-205	36	18	380219	MILLER WELDMASTER	35MM DIN RAIL END ANCHOR	VB4	
3	1	389506	MILLER WELDMASTER	SINGLE POLE GROUND LUG	VB3	GL-204	37	1	383341	MILLER WELDMASTER	112 EXTREME 18", CAT6 BLUE PATCH CABLE	VC3	
4	1	383143	MILLER WELDMASTER	CIRCUIT BREAKER, 2 POLE, 6A, D-CURVE	VH8	CB-324	38	156"	384958	MILLER WELDMASTER	PANDUIT 1" X 3" WIRE WAY, GREY	WW	
5	1	383149	MILLER WELDMASTER	CIRCUIT BREAKER, 2 POLE, 10A, D-CURVE	VH7	CB-307	39	156"	384952	MILLER WELDMASTER	PANDUIT 1" WIRE WAY COVER, GREY	VMI	
6	2	383151	MILLER WELDMASTER	CIRCUIT BREAKER, 3 POLE, 10A, D-CURVE	VH2	CB-220,224 CB-228,232	40	72"	384960	MILLER WELDMASTER	PANDUIT 2" X 3" WIRE WAY, GREY	WW	
7	2	380039 380105	MILLER WELDMASTER	FUSE HOLDER, 30A, WITH INDICATOR LIGHT WITH ONE 30A FNM FUSE	VH3 VBIN	FU-301 FU-304	41	72"	384954	MILLER WELDMASTER	PANDUIT 2" WIRE WAY COVER, GREY	VMI	
8	2	384580	MILLER WELDMASTER	CIRCUIT BREAKER, 2 POLE, 1A, C-CURVE	VH9	CB-321 CB-328	42	19"	384964	MILLER WELDMASTER	PANDUIT TYPE FL FLEXIBLE WIRING DUCT, .49" X .49" X 19.7" LONG (DINOSAUR DUCT)	WW4	
9	1	386546	MILLER WELDMASTER	5VDC POWER SUPPLY, 3A	VC5	PS-326							
10	4	384865	MILLER WELDMASTER	CONTACTOR, D-LINE, 25A, 24VDC COIL	VD4	M-705,707,723 M-725,726,803 M-806,807							
11	2	384868	MILLER WELDMASTER	THERMAL PROTECTION FOR D-LINE CONTACTOR, 7.0-10.0A	NS	OL-220,224 OL-228,232							
12	1	385026	MILLER WELDMASTER	DIN-A-MITE B SINGLE PHASE WATLOW SCR (HEATER RELAY), ZERO CROSS, 4-20mA, 30A, 120-240VAC	VB3	HC-302 HC-304							
13	1	381502	MILLER WELDMASTER	ATV312, 1/4 HP AC DRIVE (INVERTER)	VE2	INV-400							
14	1	381571 383124	MILLER WELDMASTER	DYNAMIC BRAKING RESISTOR, 50 OHM, 50W WITH MOUNTING BRACKET	VE3 LM4	BR-416							
15	1	384867	MILLER WELDMASTER	THERMAL PROTECTION FOR D-LINE CONTACTOR, 4-6A	XD5	OL-210 OL-214							
16	1	330708 384612	MILLER WELDMASTER	OMRON, 2 POLE, 6A RELAY, 24VDC COIL WITH OMRON CONTROL RELAY SOCKET	VC4	CR-710							
17	2	388580	MILLER WELDMASTER	WAGO, 1 POLE RELAY, 24VDC COIL	VC4	CR-712 CR-713							
18	2	384209	MILLER WELDMASTER	CIRCUIT BREAKER, 1 POLE, 3A, C-CURVE	VH2	CB-311 CB-312							
19	1	384638	MILLER WELDMASTER	SAFETY RELAY, MINOTAUR, MSR126T, 24V AC/DC, 2N.O., 22.5mm	VC4	SR-501							
20	1	383686 384244	MILLER WELDMASTER	RED LION ANALOG TEMPERATURE CONTROLLER WITH 112 EXTREME RED LION 4PT CONNECTOR, RJ11	VG6 VC2	TC-1003							
21	1	383682	MILLER WELDMASTER	ALLEN BRADLEY 485 TO ML1100 COMMUNICATION CABLE	VC2	PLC-921							
22	1	384518	MILLER WELDMASTER	ALLEN BRADLEY ML1400 PLC BASE UNIT	VC2	PLC-600							
23	1	383678	MILLER WELDMASTER	ALLEN BRADLEY, MICROLOGIX, PLC 16PT DC OUTPUT CARD	VC2	PLC-800							
24	1	382712	MILLER WELDMASTER	5 PORT UNMANAGED SWITCH (ETHERNET SWITCH HUB)	VC2	ES-904							
25	1	383148	MILLER WELDMASTER	CIRCUIT BREAKER, 1 POLE, 10A, D-CURVE	VH2	CB-308							
26	1	389290	MILLER WELDMASTER	WAGO POWER SUPPLY, 24VDC @ 10A	VC1	PS-308							
27	10	384510	MILLER WELDMASTER	ALLEN BRADLEY DIN RAIL 3-STACK TERMINAL BLOCK, SPRING CAGE	VB4								
28	81	384512	MILLER WELDMASTER	ALLEN BRADLEY ONE CIRCUIT FEED THROUGH BLOCK, 2.5MM MAX WIRE, GREY	VB4								
29	4	383966	MILLER WELDMASTER	ONE CIRCUIT FEED THROUGH GROUND BLOCK, 2.5MM MAX WIRE, GREEN/YELLOW	VB4								
30	1	384211	MILLER WELDMASTER	CIRCUIT BREAKER, 1 POLE, 6A, D-CURVE	VH2	CB-506							
31	1	384972	MILLER WELDMASTER	CIRCUIT BREAKER, 3 POLE, 6A, D-CURVE	VH2	CB-210 CB-214							
32	1	383302	MILLER WELDMASTER	DIN RAIL END BARRIER, GREY, USED ON 384510	VB4								
33	4	383312	MILLER WELDMASTER	DIN RAIL END BARRIER, GREY	VB4								
34	3	383304	MILLER WELDMASTER	ALLEN BRADLEY CENTER JUMPER, 5MM CENTER TO CENTER, 10 POLE, YELLOW	VB4								

ATTENTION: THIS DRAWING AND ALL INFORMATION CONTAINED HEREIN IS THE SOLE AND EXCLUSIVE PROPERTY OF MILLER WELDMASTER CORP. ANY UNAUTHORIZED USE, REPRODUCTION, OR DISPLAY MAY BE SUBJECT TO LEGAL ACTION. MILLER WELDMASTER CORP. RESERVES THE RIGHT TO DEMAND RETURN OF THIS DOCUMENT AT ANY TIME.
© MILLER WELDMASTER CORP. 2011

MILLER WELDMASTER CORPORATION
 4220 ALABAMA AVE SW
 NAVARRA, OH 44662-9618
 P: 330-833-6739 F: 330-837-2828

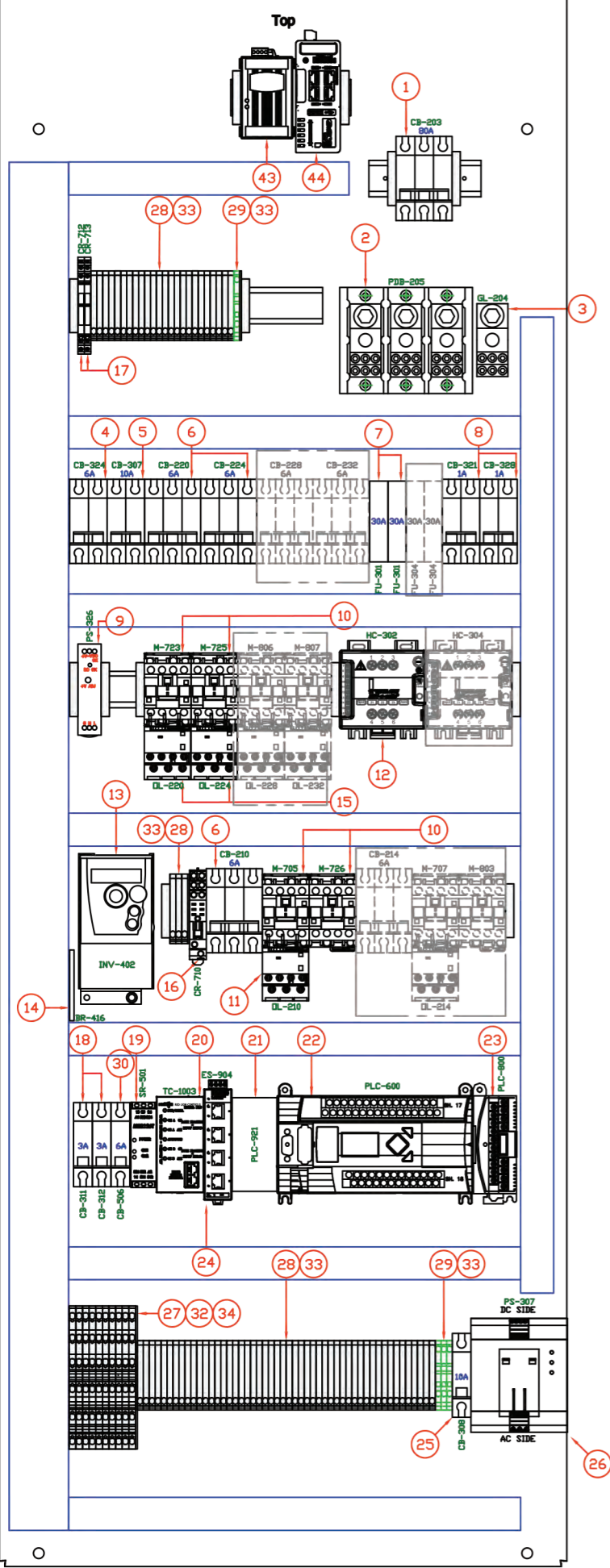
CAD DWG FILE T:\FILES\NOT VAULTED\112EX3PH2H4V\112EX3PH2H4V230V_530\112MCP_PANEL_530.DWG

MILLER WELDMASTER
 112 EXTREME X.XM
 E13
 112MCP PANEL

ENGINEER: ETM
 DRAWN BY: CAL
 DATE: 6/30/2016
 DWG NO:

CUSTOMER: CUSTOMER
 JOB NO: XXXXX
 SERIAL NO: 112EX-XXXX-XXXX

SHEET NO: 13 OF 15
 REVISION: VER 530



ITEM NO.	QTY	PART NUMBER	MANUFACTURER	DESCRIPTION	LOC	COMPONENT TAG	ITEM NO.	QTY	PART NUMBER	MANUFACTURER	DESCRIPTION	LOC	COMPONENT TAG
1	1	380652	MILLER WELDMASTER	CIRCUIT BREAKER, 3 POLE, 80A	VH6	CB-203	35	111"	379392	MILLER WELDMASTER	35MM DIN RAIL, 79" LENGTHS	W	
2	1	379510 379511	MILLER WELDMASTER	3 POLE POWER DISTRIBUTION BLOCK, 335A WITH COVER	VB3	PDB-205	36	18	380219	MILLER WELDMASTER	35MM DIN RAIL END ANCHOR	VB4	
3	1	389506	MILLER WELDMASTER	SINGLE POLE GROUND LUG	VB3	GL-204	37	1	383341	MILLER WELDMASTER	112 EXTREME 18", CAT6 BLUE PATCH CABLE	VC3	
4	1	383143	MILLER WELDMASTER	CIRCUIT BREAKER, 2 POLE, 6A, D-CURVE	VH8	CB-324	38	156"	384958	MILLER WELDMASTER	PANDUIT 1" X 3" WIRE WAY, GREY	WW	
5	1	383149	MILLER WELDMASTER	CIRCUIT BREAKER, 2 POLE, 10A, D-CURVE	VH7	CB-307	39	156"	384952	MILLER WELDMASTER	PANDUIT 1" WIRE WAY COVER, GREY	VMI	
6	2	383151	MILLER WELDMASTER	CIRCUIT BREAKER, 3 POLE, 10A, D-CURVE	VH2	CB-220,224 CB-228,232	40	72"	384960	MILLER WELDMASTER	PANDUIT 2" X 3" WIRE WAY, GREY	WW	
7	2	380039 380105	MILLER WELDMASTER	FUSE HOLDER, 30A, WITH INDICATOR LIGHT WITH ONE 30A FNM FUSE	VH3 VBIN	FU-301 FU-304	41	72"	384954	MILLER WELDMASTER	PANDUIT 2" WIRE WAY COVER, GREY	VMI	
8	2	384580	MILLER WELDMASTER	CIRCUIT BREAKER, 2 POLE, 1A, C-CURVE	VH9	CB-321 CB-328	42	19"	384964	MILLER WELDMASTER	PANDUIT TYPE FL FLEXIBLE WIRING DUCT, .49" X .49" X 19.7" LONG (DINOSAUR DUCT)	WW4	
9	1	386546	MILLER WELDMASTER	5VDC POWER SUPPLY, 3A	VC5	PS-326	43	1	391842	MILLER WELDMASTER	EWON REMOTE VPN	NEW	EWON-911
10	4	384865	MILLER WELDMASTER	CONTACTOR, D-LINE, 25A, 24VDC COIL	VD4	M-705,707,723 M-725,726,803 M-806,807	44	1	391844	MILLER WELDMASTER	POE INJECTOR FOR 1 POE PORT, 24V INPUT, SUPPORTS TEMPERATURES FROM -40 TO 70 DEGREES	NEW	POE-906
11	2	384868	MILLER WELDMASTER	THERMAL PROTECTION FOR D-LINE CONTACTOR, 7.0-10.0A	NS	OL-220,224 OL-228,232							
12	1	385026	MILLER WELDMASTER	DIN-A-MITE B SINGLE PHASE WATLOW SCR (HEATER RELAY), ZERO CROSS, 4-20mA, 30A, 120-240VAC	VB3	HC-302 HC-304							
13	1	381502	MILLER WELDMASTER	ATV312, 1/4 HP AC DRIVE (INVERTER)	VE2	INV-400							
14	1	381571 383124	MILLER WELDMASTER	DYNAMIC BRAKING RESISTOR, 50 OHM, 50W WITH MOUNTING BRACKET	VE3 LM4	BR-416							
15	1	384867	MILLER WELDMASTER	THERMAL PROTECTION FOR D-LINE CONTACTOR, 4-6A	XD5	OL-210 OL-214							
16	1	330708 384612	MILLER WELDMASTER	OMRON, 2 POLE, 6A RELAY, 24VDC COIL WITH OMRON CONTROL RELAY SOCKET	VC4	CR-710							
17	2	388580	MILLER WELDMASTER	WAGO, 1 POLE RELAY, 24VDC COIL	VC4	CR-712 CR-713							
18	2	384209	MILLER WELDMASTER	CIRCUIT BREAKER, 1 POLE, 3A, C-CURVE	VH2	CB-311 CB-312							
19	1	384638	MILLER WELDMASTER	SAFETY RELAY, MINOTAUR, MSR126T, 24V AC/DC, 2N.O., 22.5mm	VC4	SR-501							
20	1	383686 384244	MILLER WELDMASTER	RED LION ANALOG TEMPERATURE CONTROLLER WITH 112 EXTREME RED LION 4PT CONNECTOR, RJ11	VG6 VC2	TC-1003							
21	1	383682	MILLER WELDMASTER	ALLEN BRADLEY 485 TO ML1100 COMMUNICATION CABLE	VC2	PLC-921							
22	1	384518	MILLER WELDMASTER	ALLEN BRADLEY ML1400 PLC BASE UNIT	VC2	PLC-600							
23	1	383678	MILLER WELDMASTER	ALLEN BRADLEY, MICROLOGIX, PLC 16PT DC OUTPUT CARD	VC2	PLC-800							
24	1	382712	MILLER WELDMASTER	5 PORT UNMANAGED SWITCH (ETHERNET SWITCH HUB)	VC2	ES-904							
25	1	383148	MILLER WELDMASTER	CIRCUIT BREAKER, 1 POLE, 10A, D-CURVE	VH2	CB-308							
26	1	389290	MILLER WELDMASTER	WAGO POWER SUPPLY, 24VDC @ 10A	VC1	PS-308							
27	10	384510	MILLER WELDMASTER	ALLEN BRADLEY DIN RAIL 3-STACK TERMINAL BLOCK, SPRING CAGE	VB4								
28	81	384512	MILLER WELDMASTER	ALLEN BRADLEY ONE CIRCUIT FEED THROUGH BLOCK, 2.5MM MAX WIRE, GREY	VB4								
29	4	383966	MILLER WELDMASTER	ONE CIRCUIT FEED THROUGH GROUND BLOCK, 2.5MM MAX WIRE, GREEN/YELLOW	VB4								
30	1	384211	MILLER WELDMASTER	CIRCUIT BREAKER, 1 POLE, 6A, D-CURVE	VH2	CB-506							
31	1	384972	MILLER WELDMASTER	CIRCUIT BREAKER, 3 POLE, 6A, D-CURVE	VH2	CB-210 CB-214							
32	1	383302	MILLER WELDMASTER	DIN RAIL END BARRIER, GREY, USED ON 384510	VB4								
33	4	383312	MILLER WELDMASTER	DIN RAIL END BARRIER, GREY	VB4								
34	3	383304	MILLER WELDMASTER	ALLEN BRADLEY CENTER JUMPER, 5MM CENTER TO CENTER, 10 POLE, YELLOW	VB4								

COMPONENTS SHOWN IN GREY ARE THE OPTIMAL COMPONENTS NEEDED FOR A SECOND HEAT SYSTEM AND ADDITIONAL VACUUM PUMP CONTROLS FOR 112 EXTREME SYSTEMS LARGER THAN 9 METERS

ATTENTION: THIS DRAWING AND ALL INFORMATION CONTAINED HEREIN IS THE SOLE AND EXCLUSIVE PROPERTY OF MILLER WELDMASTER CORP. ANY UNAUTHORIZED USE, REPRODUCTION, OR DISPLAY MAY BE SUBJECT TO LEGAL ACTION. MILLER WELDMASTER CORP. RESERVES THE RIGHT TO DEMAND RETURN OF THIS DOCUMENT AT ANY TIME.
© MILLER WELDMASTER CORP. 2011

MILLER WELDMASTER CORPORATION

4220 ALABAMA AVE SW
NAVARO, OH 44662-9618
P: 330-833-6739 F: 330-637-2828

MILLER WELDMASTER
112 EXTREME X.XM
E13
112MCP PANEL

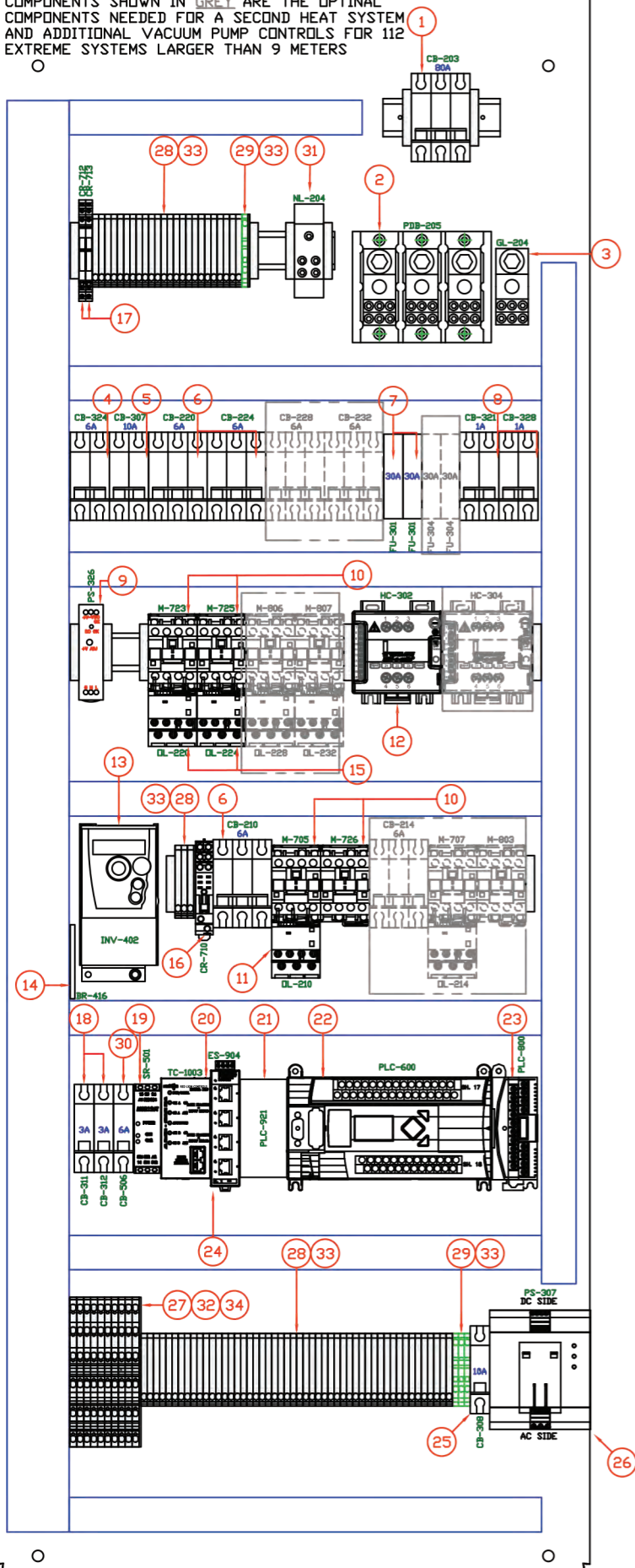
SHEET NO 13 OF 15
REVISION VER 531

ENGINEER	CUSTOMER
E1M	CUSTOMER
DRAWN BY	JOB NO
CAL	XXXXX
DATE	SERIAL NO
XX/XX/XXXX	112EX-XXXX-XXXX
DWG NO	208-240VAC

CAD DWG FILE T:\FILES\NOT VAULTED\112EX3PH2H4V\112EX3PH2H4V230V_531\XXXXX_PANEL.DWG

Top

COMPONENTS SHOWN IN GREY ARE THE OPTIMAL COMPONENTS NEEDED FOR A SECOND HEAT SYSTEM AND ADDITIONAL VACUUM PUMP CONTROLS FOR 112 EXTREME SYSTEMS LARGER THAN 9 METERS



ITEM NO.	QTY	PART NUMBER	MANUFACTURER	DESCRIPTION	LOC	COMPONENT TAG	ITEM NO.	QTY	PART NUMBER	MANUFACTURER	DESCRIPTION	LOC	COMPONENT TAG
1	1	380652	MILLER WELDMASTER	CIRCUIT BREAKER, 3 POLE, 80A	VH6	CB-203	35	111"	379392	MILLER WELDMASTER	35MM DIN RAIL, 79" LENGTHS	W	
2	1	379510 379511	MILLER WELDMASTER	3 POLE POWER DISTRIBUTION BLOCK, 335A WITH COVER	VB3	PDB-205	36	18	380219	MILLER WELDMASTER	35MM DIN RAIL END ANCHOR	VB4	
3	1	389506	MILLER WELDMASTER	SINGLE POLE GROUND LUG	VB3	GL-204	37	1	383341	MILLER WELDMASTER	112 EXTREME 18", CAT6 BLUE PATCH CABLE	VC3	
4	1	383143	MILLER WELDMASTER	CIRCUIT BREAKER, 2 POLE, 6A, D-CURVE	VH8	CB-324	38	156"	384958	MILLER WELDMASTER	PANDUIT 1" X 3" WIRE WAY, GREY	WW	
5	1	383149	MILLER WELDMASTER	CIRCUIT BREAKER, 2 POLE, 10A, D-CURVE	VH7	CB-307	39	156"	384952	MILLER WELDMASTER	PANDUIT 1" WIRE WAY COVER, GREY	VMI	
6	3	384972	MILLER WELDMASTER	CIRCUIT BREAKER, 3 POLE, 6A, D-CURVE	VH2	CB-210,214,220 CB-224,228,232	40	72"	384960	MILLER WELDMASTER	PANDUIT 2" X 3" WIRE WAY, GREY	WW	
7	2	380039 380105	MILLER WELDMASTER	FUSE HOLDER, 30A, WITH INDICATOR LIGHT WITH ONE 30A FNM FUSE	VH3 VBIN	FU-301 FU-304	41	72"	384954	MILLER WELDMASTER	PANDUIT 2" WIRE WAY COVER, GREY	VMI	
8	2	384580	MILLER WELDMASTER	CIRCUIT BREAKER, 2 POLE, 1A, C-CURVE	VH9	CB-321 CB-328	42	19"	384964	MILLER WELDMASTER	PANDUIT TYPE FL FLEXIBLE WIRING DUCT, .49" X .49" X 19.7" LONG (DINOSAUR DUCT)	WW4	
9	1	386546	MILLER WELDMASTER	5VDC POWER SUPPLY, 3A	VC5	PS-326							
10	4	384865	MILLER WELDMASTER	CONTACTOR, D-LINE, 25A, 24VDC COIL	VD4	M-705,707,723 M-725,726,803 M-806,807							
11	1	LRD07	MILLER WELDMASTER	THERMAL PROTECTION FOR D-LINE CONTACTOR, 2.5-4.0A	NS	OL-210 OL-214							
12	1	385026	MILLER WELDMASTER	DIN-A-MITE B SINGLE PHASE WATLOW SCR (HEATER RELAY), ZERO CROSS, 4-20mA, 30A, 120-240VAC	VB3	HC-302 HC-304							
13	1	381502	MILLER WELDMASTER	ATV312, 1/4 HP AC DRIVE (INVERTER)	VE2	INV-400							
14	1	381571 383124	MILLER WELDMASTER	DYNAMIC BRAKING RESISTOR, 50 OHM, 50W WITH MOUNTING BRACKET	VE3 LM4	BR-416							
15	2	384867	MILLER WELDMASTER	THERMAL PROTECTION FOR D-LINE CONTACTOR, 4-6A	XD5	OL-220,224 OL-228,232							
16	1	330708 384612	MILLER WELDMASTER	OMRON, 2 POLE, 6A RELAY, 24VDC COIL WITH OMRON CONTROL RELAY SOCKET	VC4	CR-710							
17	2	388580	MILLER WELDMASTER	WAGO, 1 POLE RELAY, 24VDC COIL	VC4	CR-712 CR-713							
18	2	384209	MILLER WELDMASTER	CIRCUIT BREAKER, 1 POLE, 3A, C-CURVE	VH2	CB-311 CB-312							
19	1	384638	MILLER WELDMASTER	SAFETY RELAY, MINOTAUR, MSR126T, 24V AC/DC, 2N.O., 22.5mm	VC4	SR-501							
20	1	383686 384244	MILLER WELDMASTER	RED LION ANALOG TEMPERATURE CONTROLLER WITH 112 EXTREME RED LION 4PT CONNECTOR, RJ11	VG6 VC2	TC-1003							
21	1	383682	MILLER WELDMASTER	ALLEN BRADLEY 485 TO ML1100 COMMUNICATION CABLE	VC2	PLC-921							
22	1	384518	MILLER WELDMASTER	ALLEN BRADLEY ML1400 PLC BASE UNIT	VC2	PLC-600							
23	1	383678	MILLER WELDMASTER	ALLEN BRADLEY, MICROLOGIX, PLC 16PT DC OUTPUT CARD	VC2	PLC-800							
24	1	382712	MILLER WELDMASTER	5 PORT UNMANAGED SWITCH (ETHERNET SWITCH HUB)	VC2	ES-904							
25	1	383148	MILLER WELDMASTER	CIRCUIT BREAKER, 1 POLE, 10A, D-CURVE	VH2	CB-308							
26	1	389290	MILLER WELDMASTER	WAGO POWER SUPPLY, 24VDC @ 10A	VC1	PS-308							
27	10	384510	MILLER WELDMASTER	ALLEN BRADLEY DIN RAIL 3-STACK TERMINAL BLOCK, SPRING CAGE	VB4								
28	81	384512	MILLER WELDMASTER	ALLEN BRADLEY ONE CIRCUIT FEED THROUGH BLOCK, 2.5MM MAX WIRE, GREY	VB4								
29	4	383966	MILLER WELDMASTER	ONE CIRCUIT FEED THROUGH GROUND BLOCK, 2.5MM MAX WIRE, GREEN/YELLOW	VB4								
30	1	384211	MILLER WELDMASTER	CIRCUIT BREAKER, 1 POLE, 6A, D-CURVE	VH2	CB-506							
31	1	384216	MILLER WELDMASTER	POWER DISTRIBUTION BLOCK, FINGER SAFE, 175A	VB3	NL-204							
32	1	383302	MILLER WELDMASTER	DIN RAIL END BARRIER, GREY, USED ON 384510	VB4								
33	4	383312	MILLER WELDMASTER	DIN RAIL END BARRIER, GREY	VB4								
34	3	383304	MILLER WELDMASTER	ALLEN BRADLEY CENTER JUMPER, 5MM CENTER TO CENTER, 10 POLE, YELLOW	VB4								

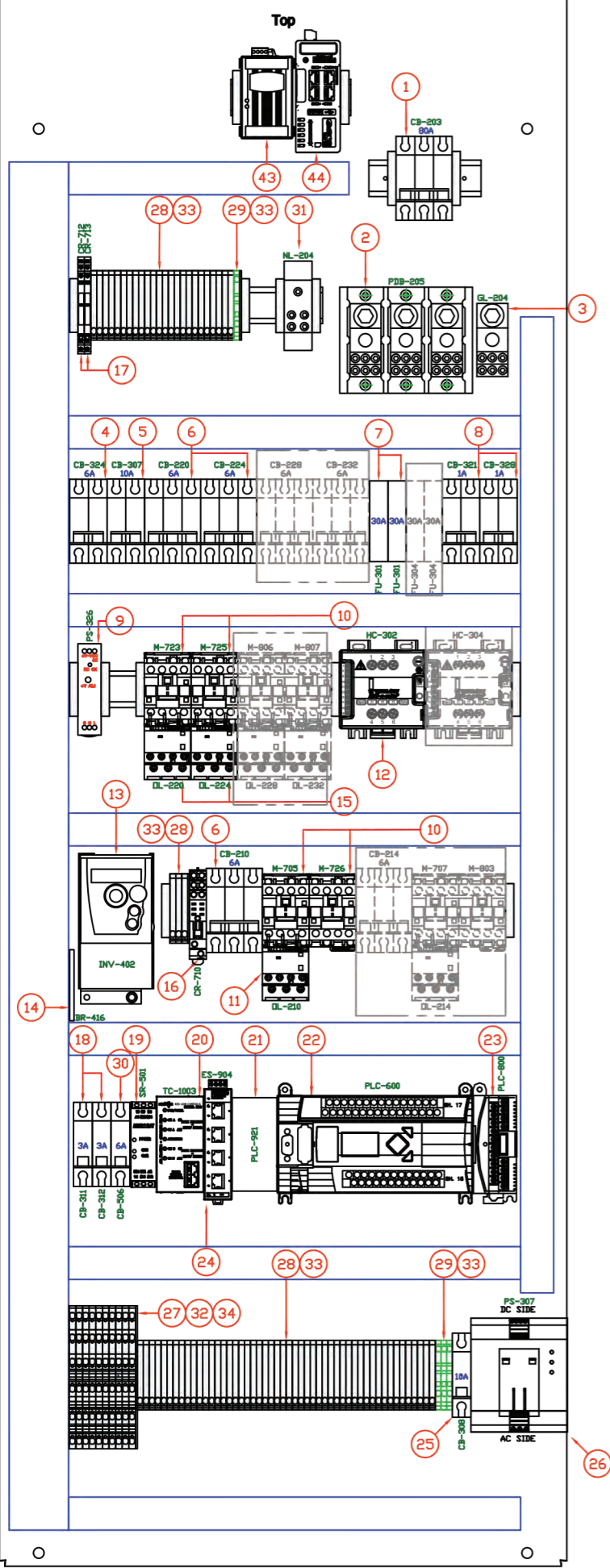
ATTENTION: THIS DRAWING AND ALL INFORMATION CONTAINED HEREIN IS THE SOLE AND EXCLUSIVE PROPERTY OF MILLER WELDMASTER CORP. ANY UNAUTHORIZED USE, REPRODUCTION, OR DISPLAY MAY BE SUBJECT TO LEGAL ACTION. MILLER WELDMASTER CORP. RESERVES THE RIGHT TO DEMAND RETURN OF THIS DOCUMENT AT ANY TIME.
© MILLER WELDMASTER CORP. 2011

MILLER WELDMASTER CORPORATION
 4220 ALABAMA AVE SW
 NAVARRA, OH 44662-9618
 P: 330-833-6739 F: 330-637-2828

CAD DWG FILE T:\FILES\NOT VAULTED\112EX3PH2H4V\112EX3PH2H4V400V_530\112MCP_PANEL_400V_530.DWG

ENGINEER ETM	CUSTOMER CUSTOMER
DRAWN BY CAL	JOB NO XXXXX
DATE 6/30/2016	SERIAL NO 112EX-XXXX-XXXX
DWG NO	REVISION VER 530

SHEET NO 13 OF 15



ITEM NO.	QTY	PART NUMBER	MANUFACTURER	DESCRIPTION	LOC	COMPONENT TAG	ITEM NO.	QTY	PART NUMBER	MANUFACTURER	DESCRIPTION	LOC	COMPONENT TAG
1	1	380652	MILLER WELDMASTER	CIRCUIT BREAKER, 3 POLE, 80A	VH6	CB-203	35	111"	379392	MILLER WELDMASTER	35MM DIN RAIL, 79" LENGTHS	W	
2	1	379510 379511	MILLER WELDMASTER	3 POLE POWER DISTRIBUTION BLOCK, 335A WITH COVER	VB3	PDB-205	36	18	380219	MILLER WELDMASTER	35MM DIN RAIL END ANCHOR	VB4	
3	1	389506	MILLER WELDMASTER	SINGLE POLE GROUND LUG	VB3	GL-204	37	1	383341	MILLER WELDMASTER	112 EXTREME 18", CAT6 BLUE PATCH CABLE	VC3	
4	1	383143	MILLER WELDMASTER	CIRCUIT BREAKER, 2 POLE, 6A, D-CURVE	VH8	CB-324	38	156"	384958	MILLER WELDMASTER	PANDUIT 1" X 3" WIRE WAY, GREY	WW	
5	1	383149	MILLER WELDMASTER	CIRCUIT BREAKER, 2 POLE, 10A, D-CURVE	VH7	CB-307	39	156"	384952	MILLER WELDMASTER	PANDUIT 1" WIRE WAY COVER, GREY	VMI	
6	3	384972	MILLER WELDMASTER	CIRCUIT BREAKER, 3 POLE, 6A, D-CURVE	VH2	CB-210,214,220 CB-224,228,232	40	72"	384960	MILLER WELDMASTER	PANDUIT 2" X 3" WIRE WAY, GREY	WW	
7	2	380039 380105	MILLER WELDMASTER	FUSE HOLDER, 30A, WITH INDICATOR LIGHT WITH ONE 30A FNM FUSE	VH3 VBIN	FU-301 FU-304	41	72"	384954	MILLER WELDMASTER	PANDUIT 2" WIRE WAY COVER, GREY	VMI	
8	2	384580	MILLER WELDMASTER	CIRCUIT BREAKER, 2 POLE, 1A, C-CURVE	VH9	CB-321 CB-328	42	19"	384964	MILLER WELDMASTER	PANDUIT TYPE FL FLEXIBLE WIRING DUCT, .49" X .49" X 19.7" LONG (DINOSAUR DUCT)	WW4	
9	1	386546	MILLER WELDMASTER	5VDC POWER SUPPLY, 3A	VC5	PS-326	43	1	391842	MILLER WELDMASTER	EWON REMOTE VPN	NEW	EWON-911
10	4	384865	MILLER WELDMASTER	CONTACTOR, D-LINE, 25A, 24VDC COIL	VD4	M-705,707,723 M-725,726,803 M-806,807	44	1	391844	MILLER WELDMASTER	POE INJECTOR FOR 1 POE PORT, 24V INPUT, SUPPORTS TEMPERATURES FROM -40 TO 70 DEGREES	NEW	POE-906
11	1	LRD07	MILLER WELDMASTER	THERMAL PROTECTION FOR D-LINE CONTACTOR, 2.5-4.0A	NS	OL-210 OL-214							
12	1	385026	MILLER WELDMASTER	DIN-A-MITE B SINGLE PHASE WATLOW SCR (HEATER RELAY), ZERO CROSS, 4-20mA, 30A, 120-240VAC	VB3	HC-302 HC-304							
13	1	381502	MILLER WELDMASTER	ATV312, 1/4 HP AC DRIVE (INVERTER)	VE2	INV-400							
14	1	381571 383124	MILLER WELDMASTER	DYNAMIC BRAKING RESISTOR, 50 OHM, 50W WITH MOUNTING BRACKET	VE3 LM4	BR-416							
15	2	384867	MILLER WELDMASTER	THERMAL PROTECTION FOR D-LINE CONTACTOR, 4-6A	XD5	OL-220,224 OL-228,232							
16	1	330708 384612	MILLER WELDMASTER	OMRON, 2 POLE, 6A RELAY, 24VDC COIL WITH OMRON CONTROL RELAY SOCKET	VC4	CR-710							
17	2	388580	MILLER WELDMASTER	WAGO, 1 POLE RELAY, 24VDC COIL	VC4	CR-712 CR-713							
18	2	384209	MILLER WELDMASTER	CIRCUIT BREAKER, 1 POLE, 3A, C-CURVE	VH2	CB-311 CB-312							
19	1	384638	MILLER WELDMASTER	SAFETY RELAY, MINOTAUR, MSR126T, 24V AC/DC, 2N.O., 22.5mm	VC4	SR-501							
20	1	383686 384244	MILLER WELDMASTER	RED LION ANALOG TEMPERATURE CONTROLLER WITH 112 EXTREME RED LION 4PT CONNECTOR, RJ11	VG6 VC2	TC-1003							
21	1	383682	MILLER WELDMASTER	ALLEN BRADLEY 485 TO ML1100 COMMUNICATION CABLE	VC2	PLC-921							
22	1	384518	MILLER WELDMASTER	ALLEN BRADLEY ML1400 PLC BASE UNIT	VC2	PLC-600							
23	1	383678	MILLER WELDMASTER	ALLEN BRADLEY, MICROLOGIX, PLC 16PT DC OUTPUT CARD	VC2	PLC-800							
24	1	382712	MILLER WELDMASTER	5 PORT UNMANAGED SWITCH (ETHERNET SWITCH HUB)	VC2	ES-904							
25	1	383148	MILLER WELDMASTER	CIRCUIT BREAKER, 1 POLE, 10A, D-CURVE	VH2	CB-308							
26	1	389290	MILLER WELDMASTER	WAGO POWER SUPPLY, 24VDC @ 10A	VC1	PS-308							
27	10	384510	MILLER WELDMASTER	ALLEN BRADLEY DIN RAIL 3-STACK TERMINAL BLOCK, SPRING CAGE	VB4								
28	81	384512	MILLER WELDMASTER	ALLEN BRADLEY ONE CIRCUIT FEED THROUGH BLOCK, 2.5MM MAX WIRE, GREY	VB4								
29	4	383966	MILLER WELDMASTER	ONE CIRCUIT FEED THROUGH GROUND BLOCK, 2.5MM MAX WIRE, GREEN/YELLOW	VB4								
30	1	384211	MILLER WELDMASTER	CIRCUIT BREAKER, 1 POLE, 6A, D-CURVE	VH2	CB-506							
31	1	384216	MILLER WELDMASTER	POWER DISTRIBUTION BLOCK, FINGER SAFE, 175A	VB3	NL-204							
32	1	383302	MILLER WELDMASTER	DIN RAIL END BARRIER, GREY, USED ON 384510	VB4								
33	4	383312	MILLER WELDMASTER	DIN RAIL END BARRIER, GREY	VB4								
34	3	383304	MILLER WELDMASTER	ALLEN BRADLEY CENTER JUMPER, 5MM CENTER TO CENTER, 10 POLE, YELLOW	VB4								

COMPONENTS SHOWN IN GREY ARE THE OPTIMAL COMPONENTS NEEDED FOR A SECOND HEAT SYSTEM AND ADDITIONAL VACUUM PUMP CONTROLS FOR 112 EXTREME SYSTEMS LARGER THAN 9 METERS

ATTENTION: THIS DRAWING AND ALL INFORMATION CONTAINED HEREIN IS THE SOLE AND EXCLUSIVE PROPERTY OF MILLER WELDMASTER CORP. ANY UNAUTHORIZED USE, REPRODUCTION, OR DISPLAY MAY BE SUBJECT TO LEGAL ACTION. MILLER WELDMASTER CORP. RESERVES THE RIGHT TO DEMAND RETURN OF THIS DOCUMENT AT ANY TIME.
© MILLER WELDMASTER CORP. 2011

MILLER WELDMASTER CORPORATION
 4220 ALABAMA AVE SW
 NAVARRA, OH 44662-9618
 P: 330-833-6739 F: 330-837-2828

CAD DWG FILE T:\FILES\NOT VAULTED\112EX3PH2H4V\112EX3PH2H4V400V_531\XXXXX_PANEL.DWG

MILLER WELDMASTER
 112 EXTREME X.XM
 E13
 112MCP PANEL

ENGINEER: ETM
 DRAWN BY: CAL
 DATE: XX/XX/XXXX

CUSTOMER: CUSTOMER
 JOB NO: XXXXX
 SERIAL NO: 112EX-XXXX-XXXX

DWG NO: 400VAC
 SHEET NO: 13 OF 15
 REVISION: VER 531