



# PARTS DIAGRAM



## IMPORTANT FOR FUTURE REFERENCE

Please complete this information and retain this manual for the life of the equipment:

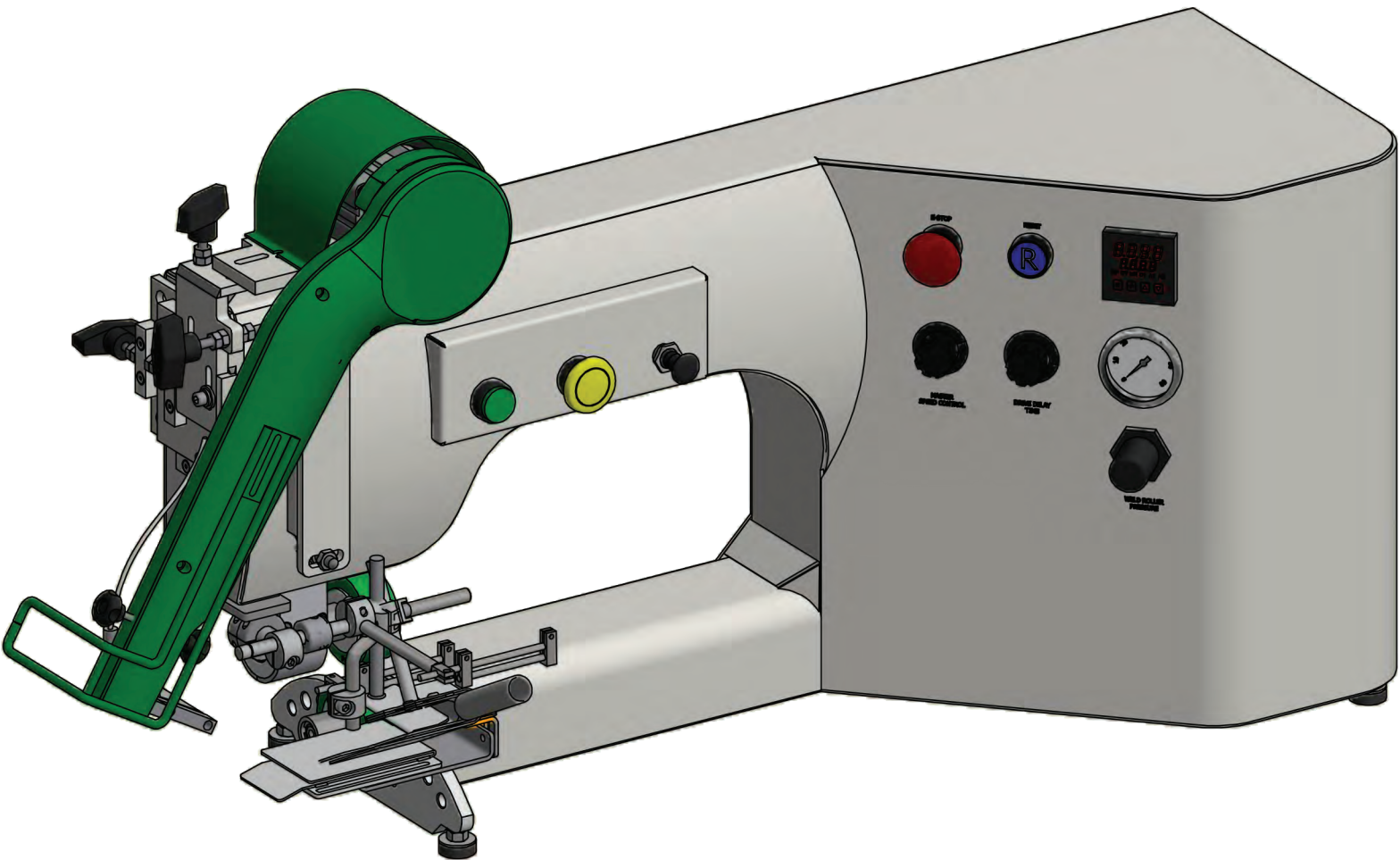
Model #: \_\_\_\_\_

Serial #: \_\_\_\_\_

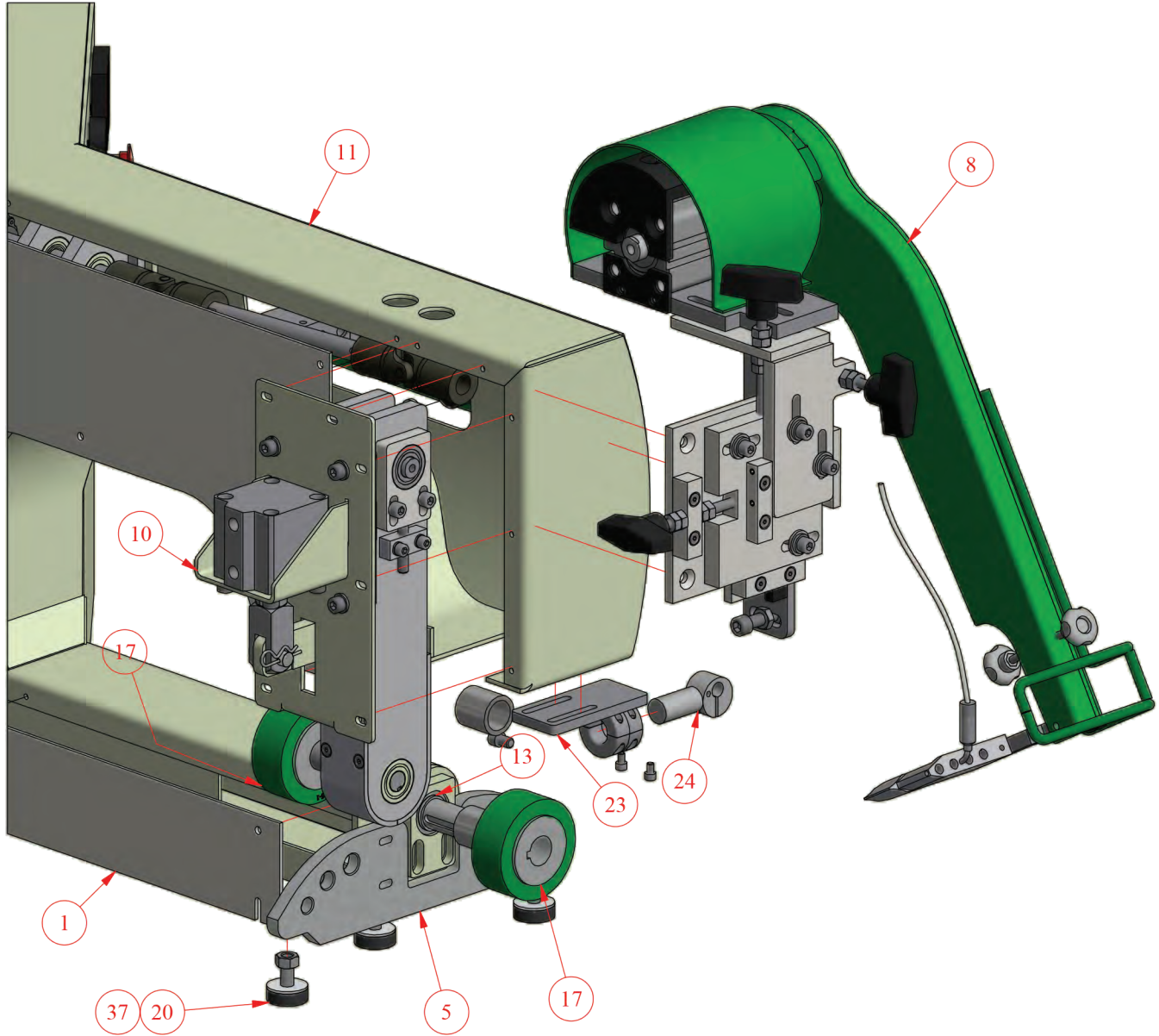
Date Purchased: \_\_\_\_\_



**TT3**  
**T3 TABLE TOP MACHINE**

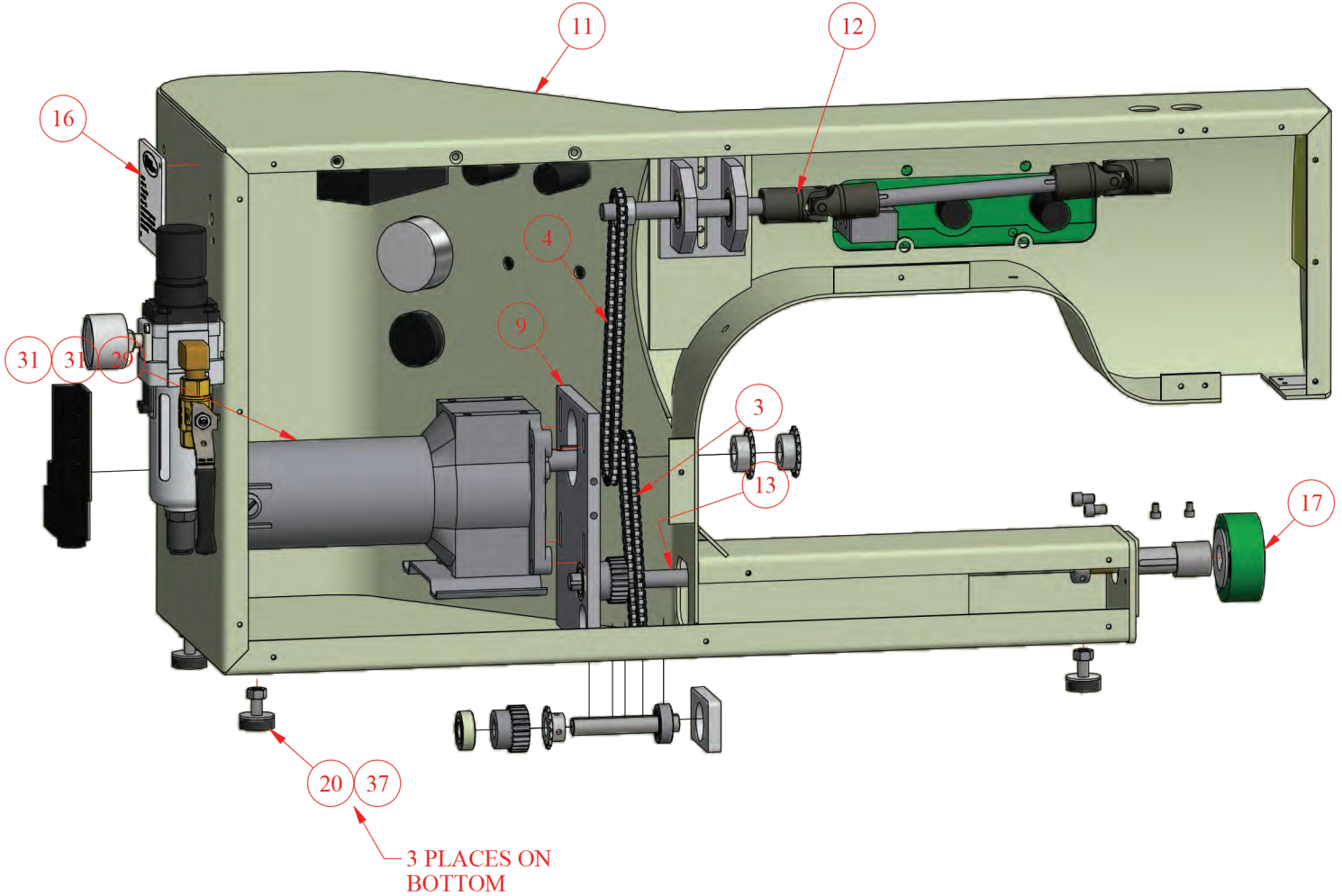


**VALID FOR SERIAL NUMBERS;  
TT3-XXXX-2874  
THROUGH  
TT3-XXXX-XXXX**

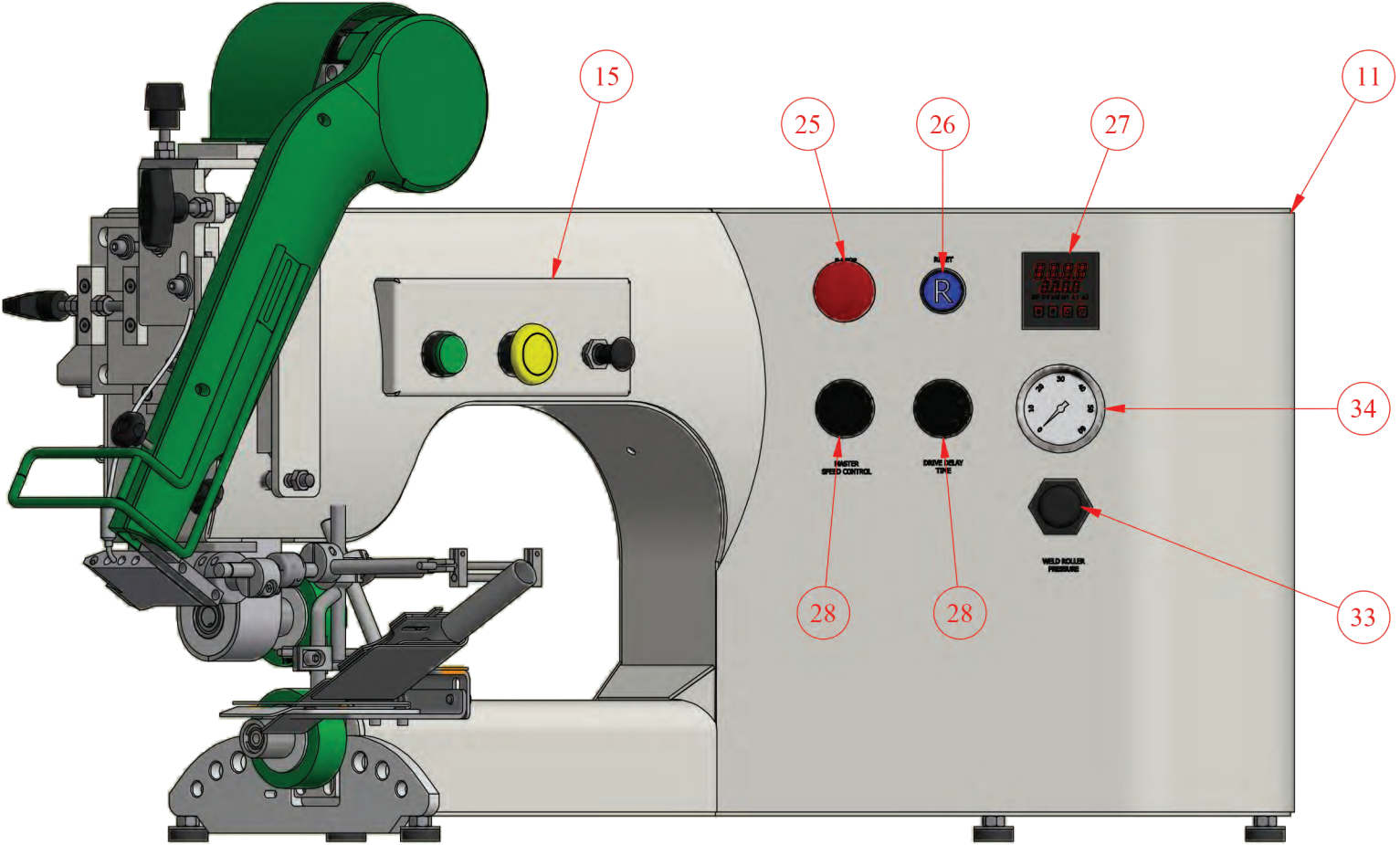


ITEM	ITEM QTY	PART NUMBER	TITLE
1	1	TT100	BACK COVER, TABLE TOP
5	1	TT156	STABALIZER BRACKET
8	1	TT204	ADJUSTABLE HOT WEDGE ASSEMBLY
10	1	TT208	UPPER DRIVE ASSEMBLY
11	1	TT211	HOUSING
13	1	TT214	LOWER WELD ROLLER DRIVE SHAFT ASSEMBLY
17	2	T3WR85-1	WELD ROLLER
20	5	380256	RUBBER FOOT
23	1	383556	UPPER GUIDE MOUNT
24	1	383558	UPPER GUIDE MOUNT SECONDARY CLAMP
37	5	FAST	5/16-18 UNC HEX NUT





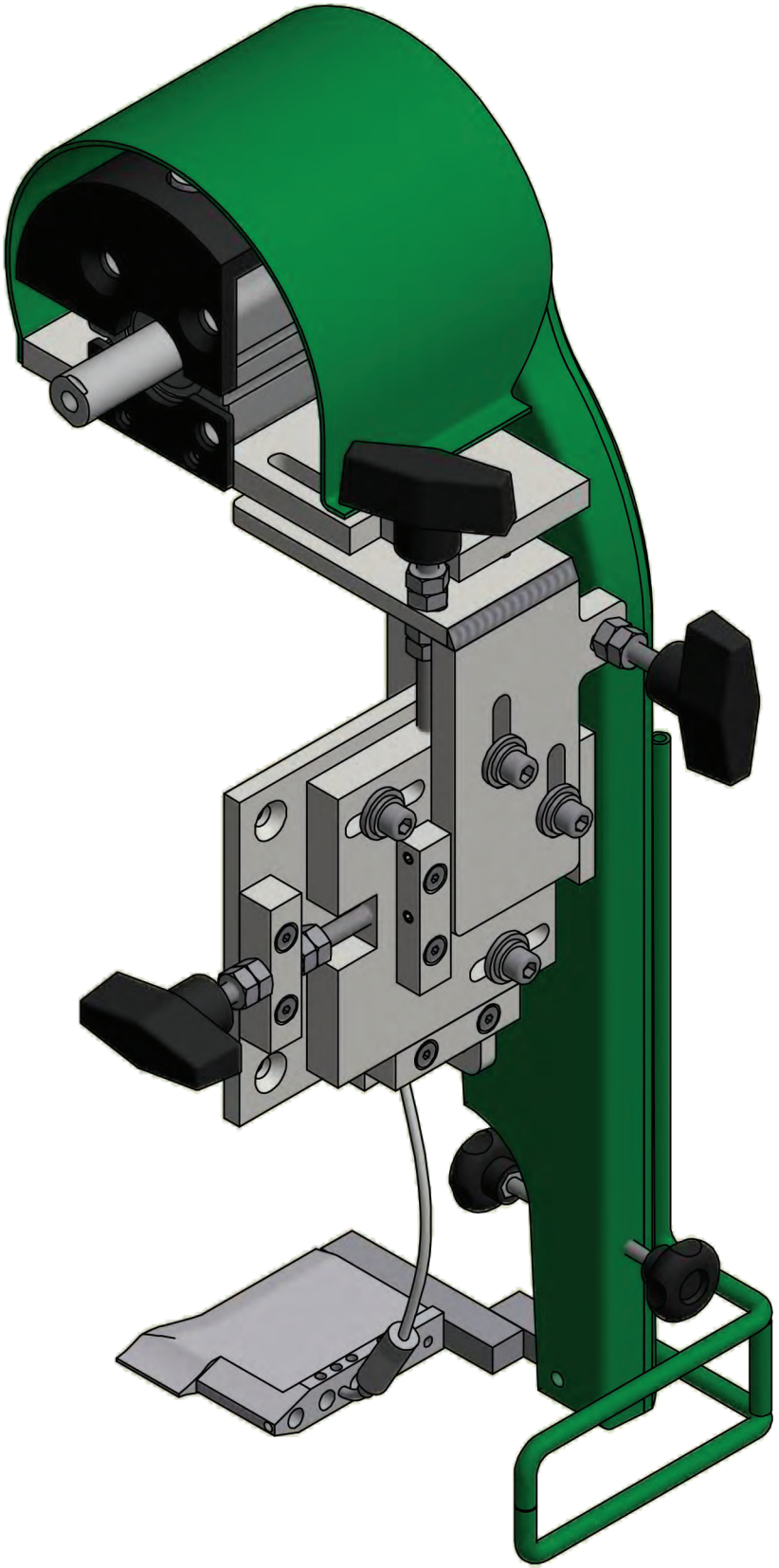
ITEM	ITEM QTY	PART NUMBER	TITLE
2	1	TT106	BEARING BLOCK
3	1	TT115	CHAIN 383470 / CONNECTING LINK 370027
4	1	TT116	CHAIN 383470 / CONNECTING LINK 370027
9	1	TT206	UPPER AND LOWER WELD ROLLER DRIVE MOUNTING PLATE
11	1	TT211	HOUSING
12	1	TT212	UPPER DRIVE SHAFT ASSEMBLY
13	1	TT214	LOWER WELD ROLLER DRIVE SHAFT ASSEMBLY
16	1	TTCETAG	ALUMINUM SERIAL TAG
17	2	T3WR85-1	WELD ROLLER
20	5	380256	RUBBER FOOT
29	1	385262	GEARMOTOR
31	2	385306	SPROCKET
37	5	FAST	5/16-18 UNC HEX NUT

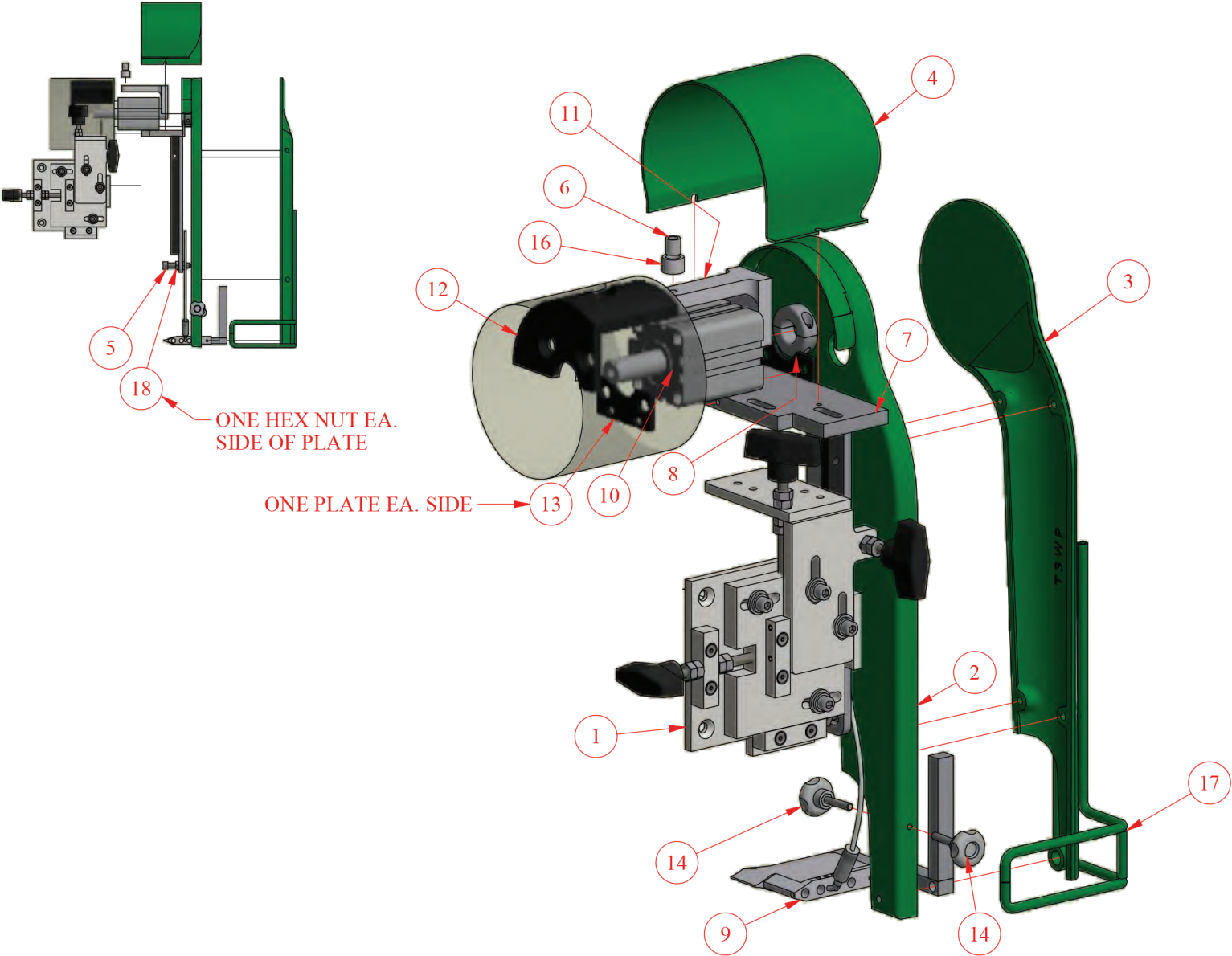


ITEM	ITEM QTY	PART NUMBER	TITLE
11	1	TT211	HOUSING
15	1	TT284	SWITCH PANEL
25	1	384478	RED PUSH BUTTON WITH TWIST LOCK
26	1	384480	BLUE PUSH BUTTON
27	1	385246	TEMPERATURE CONTROLLER
28	2	385249	ROUND KNOB
		385252	POTENTIOMETER
33	1	850061	PRESSURE REGULATOR
34	1	850057	PRESSURE GAUGE

ITEM	ITEM QTY	PART NUMBER	TITLE
1	1	TT100	BACK COVER, TABLE TOP
2	1	TT106	BEARING BLOCK
3	1	TT115	CHAIN 383470 / CONNECTING LINK 370027
4	1	TT116	CHAIN 383470 / CONNECTING LINK 370027
5	1	TT156	STABALIZER BRACKET
6	2	TT163	SPACER TUBE
7	1	TT164	LOWER WELD ROLLER IDLER SHAFT
8	1	TT204	ADJUSTABLE HOT WEDGE ASSEMBLY
9	1	TT206	UPPER AND LOWER WELD ROLLER DRIVE MOUNTING PLATE
10	1	TT208	UPPER DRIVE ASSEMBLY
11	1	TT211	HOUSING
12	1	TT212	UPPER DRIVE SHAFT ASSEMBLY
13	1	TT214	LOWER WELD ROLLER DRIVE SHAFT ASSEMBLY
14	1	TT282	TABLE TOP COMPLETE COMPONENT PANEL
15	1	TT284	SWITCH PANEL
16	1	TTCETAG	ALUMINUM SERIAL TAG
17	2	T3WR85-1	WELD ROLLER
18	1	370035	BEARING
20	5	380256	RUBBER FOOT
23	1	383556	UPPER GUIDE MOUNT
24	1	383558	UPPER GUIDE MOUNT SECONDARY CLAMP
25	1	384478	RED PUSH BUTTON WITH TWIST LOCK
26	1	384480	BLUE PUSH BUTTON
27	1	385246	TEMPERATURE CONTROLLER
28	2	385249	ROUND KNOB
		385252	POTENTIOMETER
29	1	385262	GEARMOTOR
30	1	385305	SPROCKET
31	2	385306	SPROCKET
32	1	385316	SPUR GEAR
33	1	850061	PRESSURE REGULATOR
34	1	850057	PRESSURE GAUGE
37	5	FAST	5/16-18 UNC HEX NUT

**PART NO. TT204**  
**WEDGE ASSEMBLY, TABLE TOP**



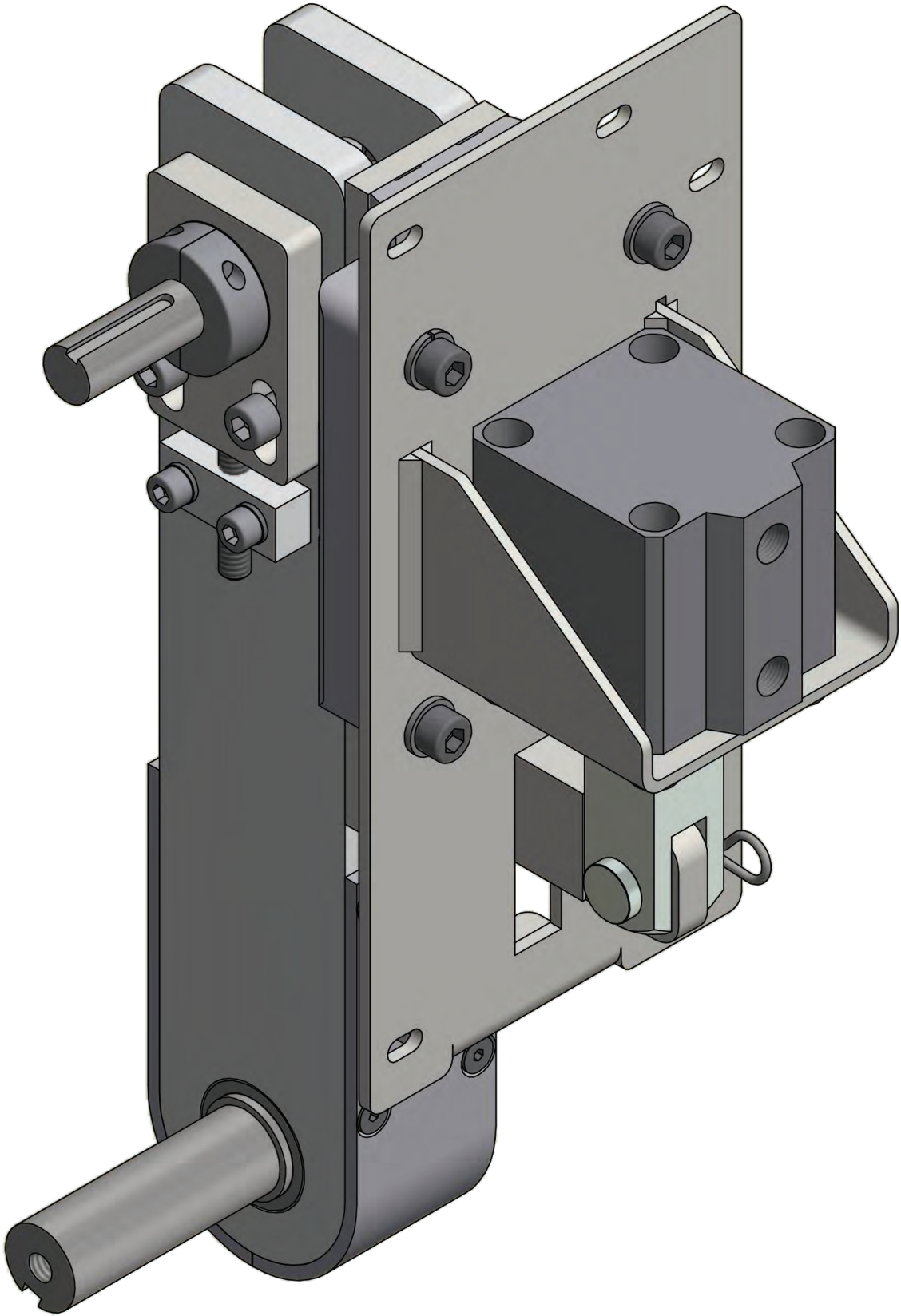


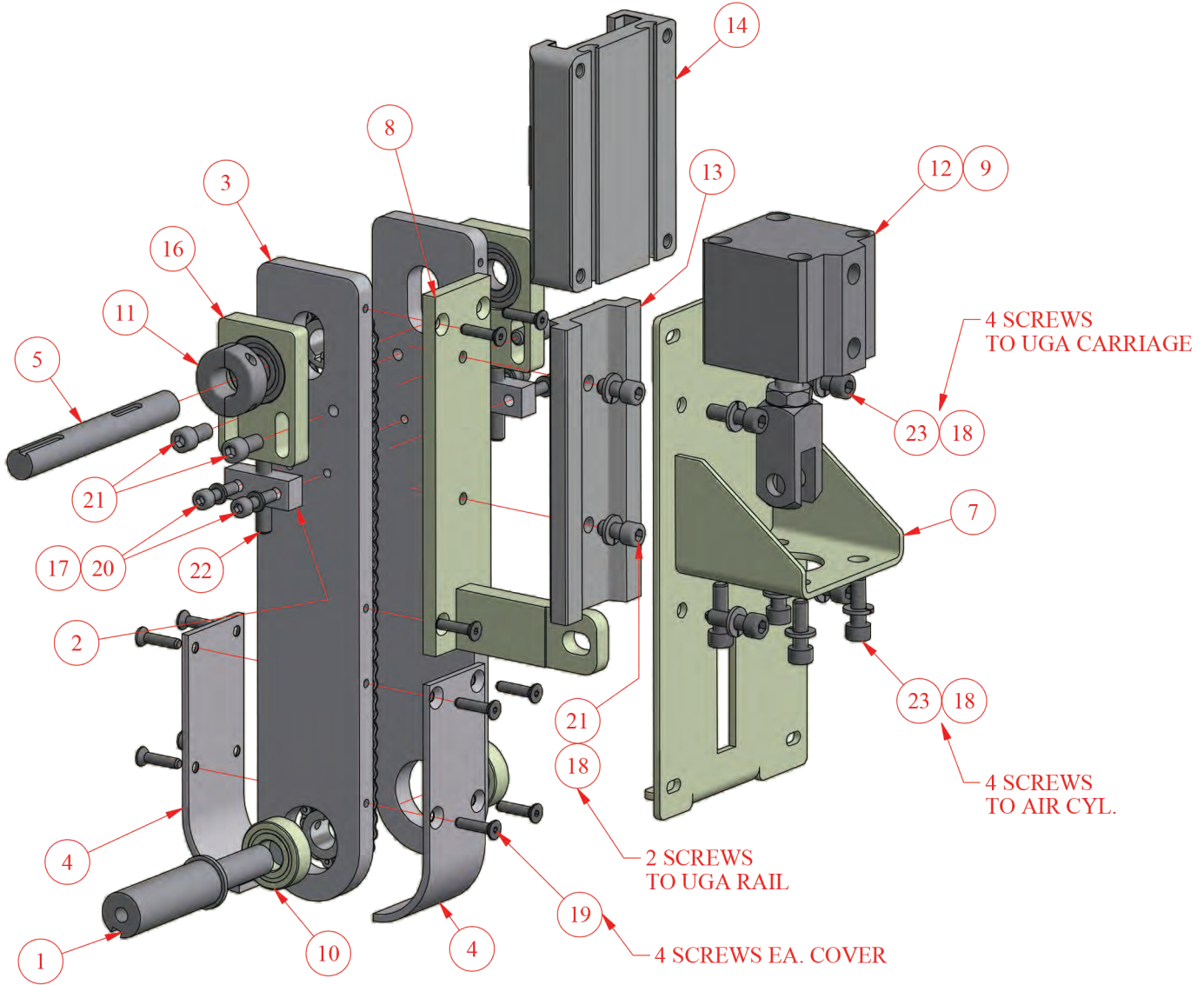
ITEM	ITEM QTY	PART NUMBER	TITLE
1	1	T-3AHS	ADJUSTABLE HEAT SYSTEM
2	1	T3WPBASE	WEDGE PIVOT ARM BASE
3	1	T3WPCOVER	WEDGE PIVOT ARM COVER
4	1	TT111	WEDGE, LARGE, ROUND BRACKET GUARD
5	1	TT146	WEDGE STOP BOLT
6	1	TT150	BUSHING
7	1	TT205	WEDGE STOP WELDMENT ASSEMBLY
8	1	370213	SHAFT COLLAR
9	1	380835-T3	1" WEDGE ASSY
10	1	383348	AIR CYLINDER
11	1	383376	WEDGE CAM ARM
12	1	383378-A	WEDGE CAM COVER
13	2	383534-A	CYLINDER MOUNTING PLATE
14	2	383538	WEDGE TILT KNOB
15	1	383706	WEDGE SMALL ROUND BRACKET GUARD
16	1	383926	NEEDLE BEARING
17	1	388118	HEAT SWING WIRE GUARD
18	2	FAST	5/16-10 UNC HEX NUT



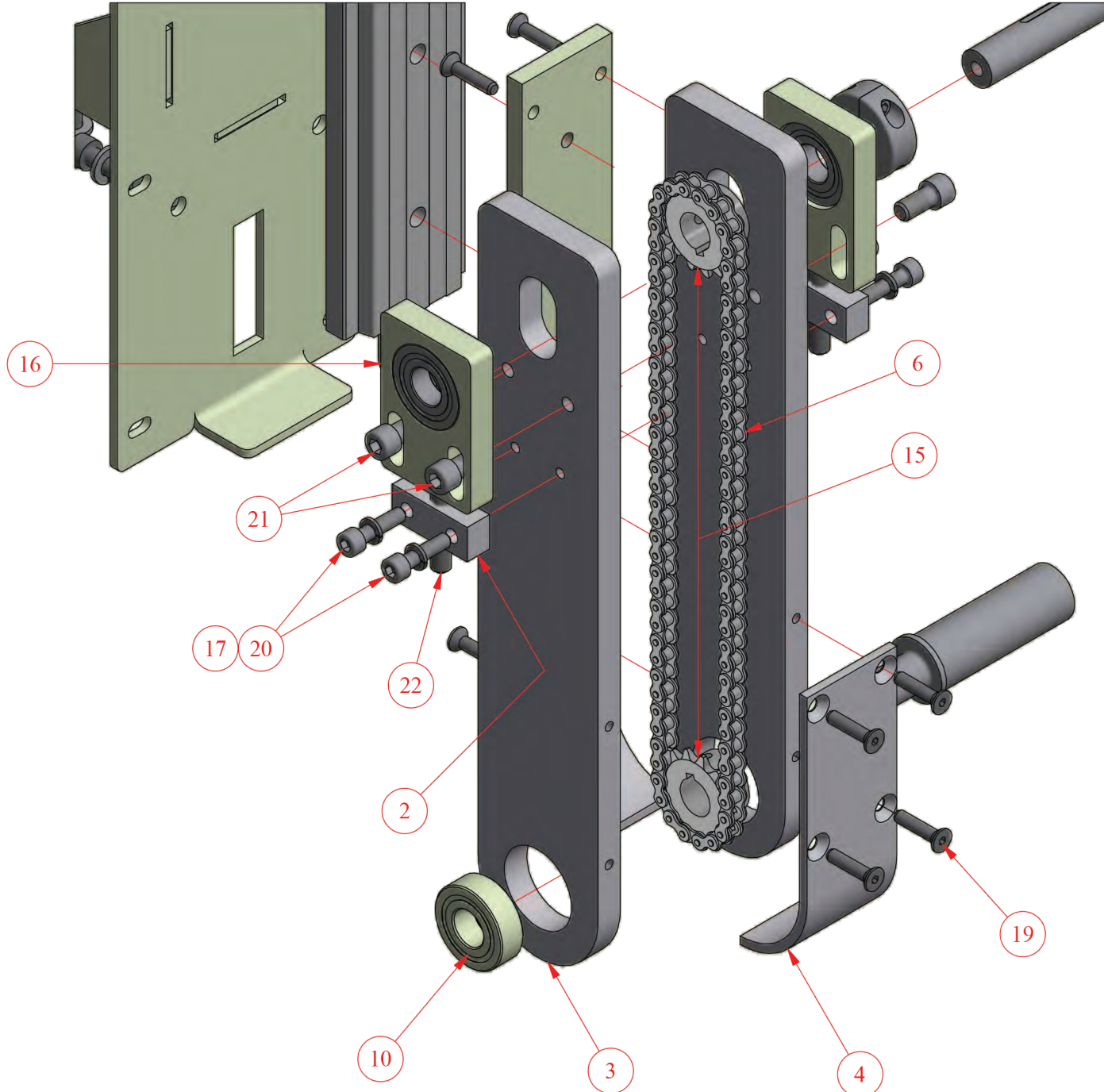
**PART NO. TT208**

**UPPER DRIVE ASSEMBLY, TABLE TOP**





ITEM	ITEM QTY	PART NUMBER	TITLE
1	1	TT119	WELD ROLLER SHAFT
2	2	TT120	VERTICAL TENSION BLOCK
3	2	TT121	SIDE PLATES
4	2	TT122	COVER
5	1	TT123	UPPER DRIVE SHAFT
7	1	TT209	AIR CYLINDER MOUNT
8	1	TT210	AIR CYLINDER ATTACHMENT
9	1	350005	AIR CYLINDER ROD CLEVIS
10	2	370035	BEARING
11	1	383335	SHAFT COLLAR
12	1	383334	AIR CYLINDER
13	1	385274	RAIL
14	1	385276	CARRIAGE
16	2	386522	BEARING BLOCK ASSEMBLY
17	4	FAST	#10 LOCK WASHER
18	10	FAST	1/4" LOCK WASHER
19	12	FAST	8-32 UNC X 3/4" LG. HEX SOCKET COUNTERSUNK HEAD CAP SCREW
20	4	FAST	10-24 UNC X 3/4" LG. HEX SOCKET HEAD CAP SCREW
21	6	FAST	1/4-20 UNC X 1/2" LG. HEX SOCKET HEAD CAP SCREW
22	2	FAST	1/4-20 UNC X 1 1/4" LG. HEX SOCKET SET SCREW
23	8	FAST	M6 X 1 X 20mm LG.HEX SOCKET HEAD CAP SCREW

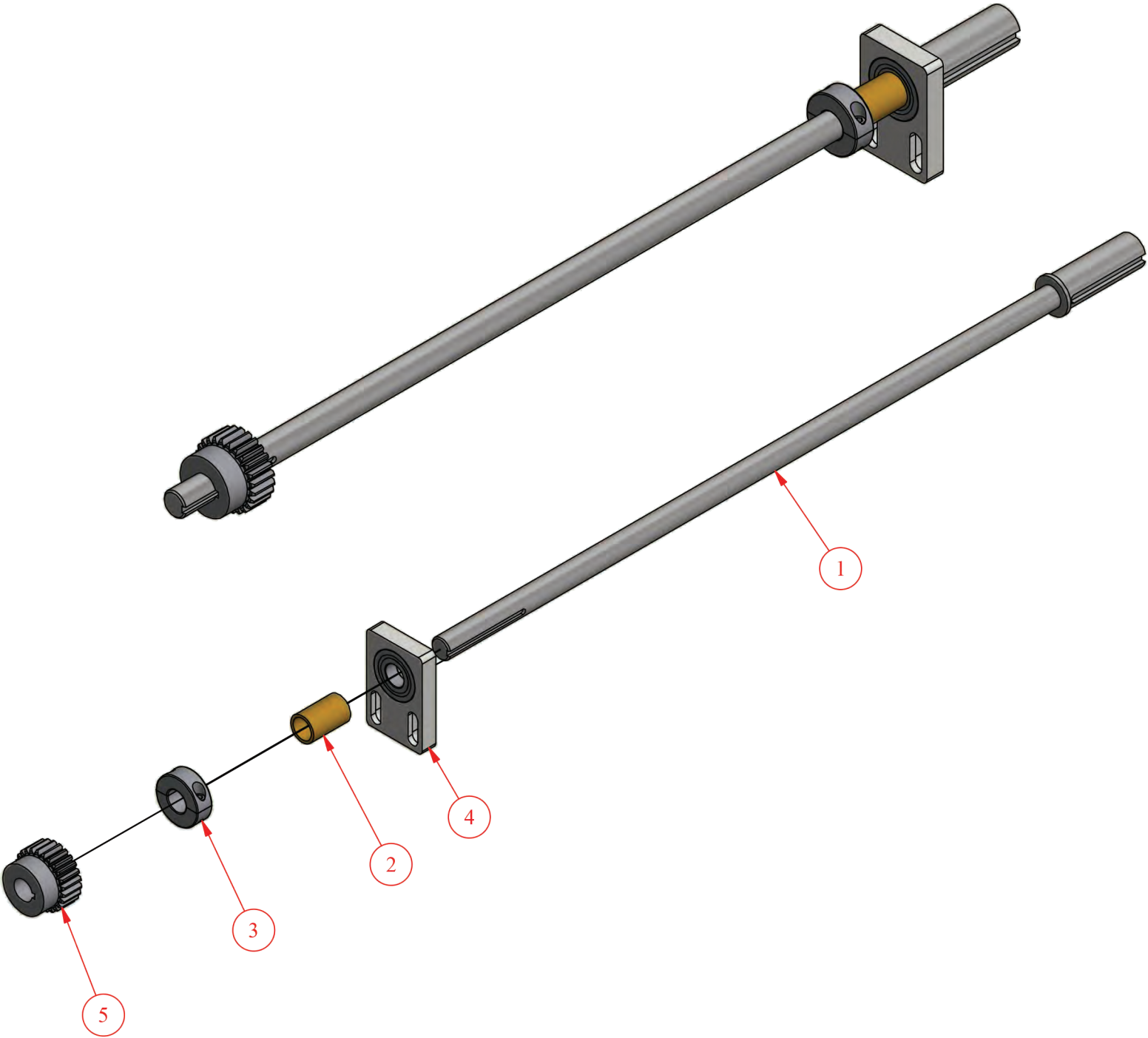


ITEM	ITEM QTY	PART NUMBER	TITLE
2	2	TT120	VERTICAL TENSION BLOCK
3	2	TT121	SIDE PLATES
4	2	TT122	COVER
6	1	TT126	CHAIN # 383470 / MASTER LINK #370027
10	2	370035	BEARING
15	2	385305	SPROCKET
16	2	386522	BEARING BLOCK ASSEMBLY
17	4	FAST	#10 LOCK WASHER
19	12	FAST	8-32 UNC X 3/4" LG. HEX SOCKET COUNTERSUNK HEAD CAP SCREW
20	4	FAST	10-24 UNC X 3/4" LG. HEX SOCKET HEAD CAP SCREW
21	6	FAST	1/4-20 UNC X 1/2" LG. HEX SOCKET HEAD CAP SCREW
22	2	FAST	1/4-20 UNC X 1 1/4" LG. HEX SOCKET SET SCREW

ITEM	ITEM QTY	PART NUMBER	TITLE
1	1	TT119	WELD ROLLER SHAFT
2	2	TT120	VERTICAL TENSION BLOCK
3	2	TT121	SIDE PLATES
4	2	TT122	COVER
5	1	TT123	UPPER DRIVE SHAFT
6	1	TT126	CHAIN # 383470 / MASTER LINK #370027
7	1	TT209	AIR CYLINDER MOUNT
8	1	TT210	AIR CYLINDER ATTACHMENT
9	1	350005	AIR CYLINDER ROD CLEVIS
10	2	370035	BEARING
11	1	383335	SHAFT COLLAR
12	1	383334	AIR CYLINDER
13	1	385274	RAIL
14	1	385276	CARRIAGE
15	2	385305	SPROCKET
16	2	386522	BEARING BLOCK ASSEMBLY
17	4	FAST	#10 LOCK WASHER
18	10	FAST	1/4" LOCK WASHER
19	12	FAST	8-32 UNC X 3/4" LG. HEX SOCKET COUNTERSUNK HEAD CAP SCREW
20	4	FAST	10-24 UNC X 3/4" LG. HEX SOCKET HEAD CAP SCREW
21	6	FAST	1/4-20 UNC X 1/2" LG. HEX SOCKET HEAD CAP SCREW
22	2	FAST	1/4-20 UNC X 1 1/4" LG. HEX SOCKET SET SCREW
23	8	FAST	M6 X 1 X 20mm LG.HEX SOCKET HEAD CAP SCREW



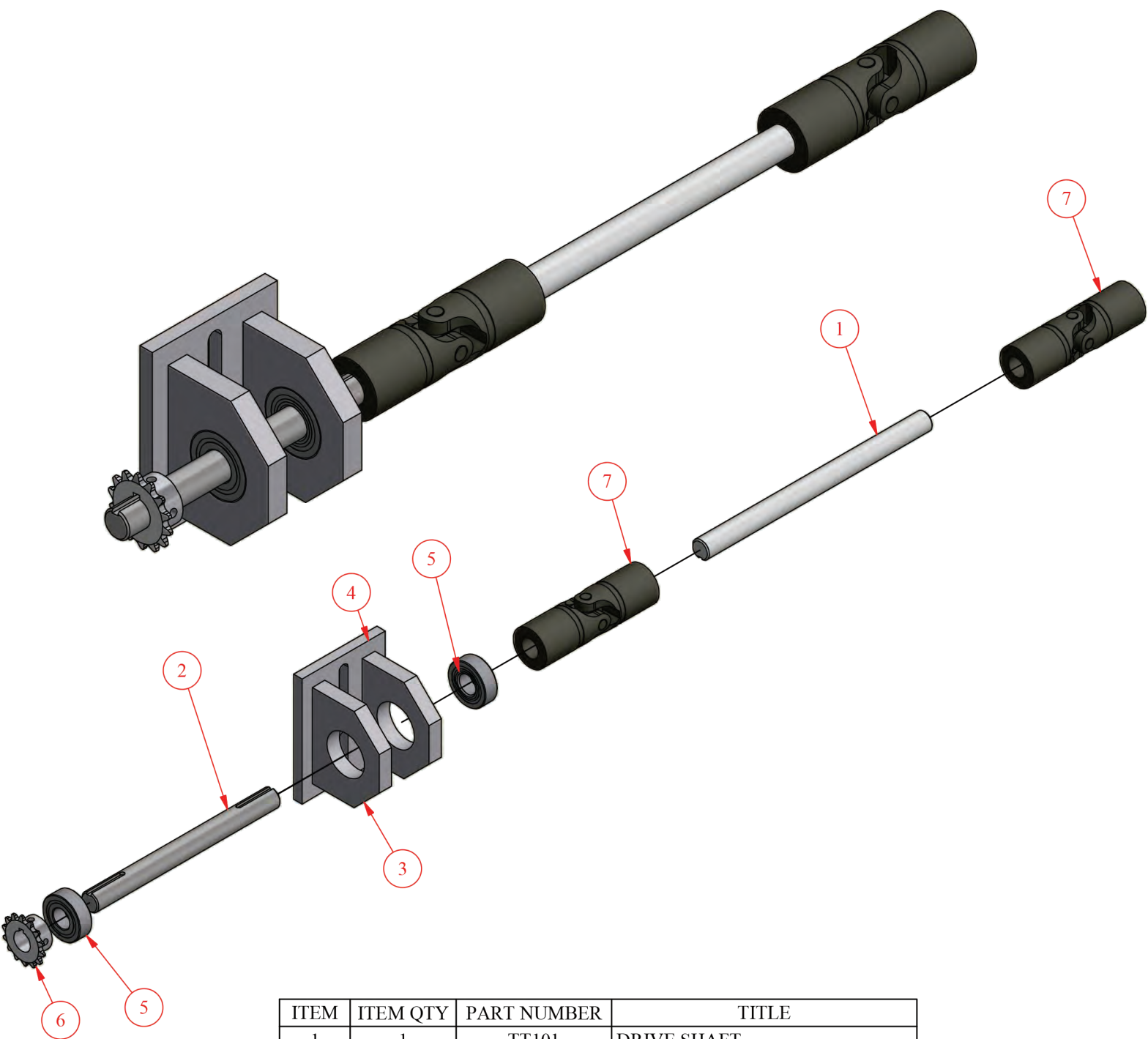
**PARTNO. TT214**  
**LOWER WELD ROLLER DRIVE SHAFT SUB-ASSEMBLY**



ITEM	ITEM QTY	PART NUMBER	TITLE
1	1	TT207	LOWER WELD ROLLER DRIVE SHAFT
2	1	370113	BUSHING
3	1	370179	SHAFT COLLAR
4	1	380825	BEARING BLOCK
5	1	385316	SPUR GEAR

# **PART NO. TT212**

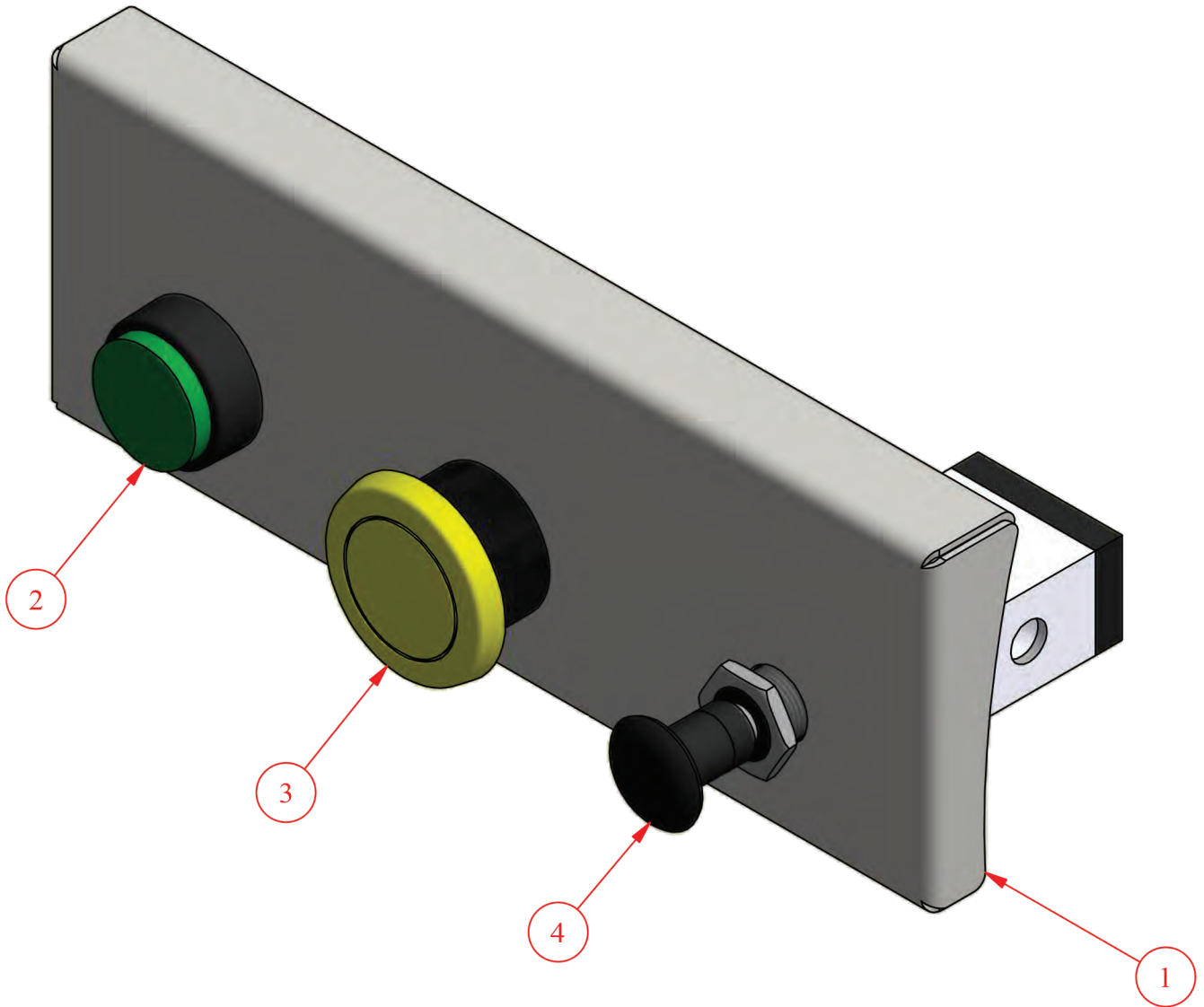
## **UPPER DRIVE SHAFT ASSEMBLY**



ITEM	ITEM QTY	PART NUMBER	TITLE
1	1	TT101	DRIVE SHAFT
2	1	TT143	DRIVE SHAFT
3	2	TT144	BEARING BLOCK
4	1	TT145	BACK PLATE
5	2	370035	BEARING
6	1	385305	SPROCKET
7	2	385308	U-JOINT

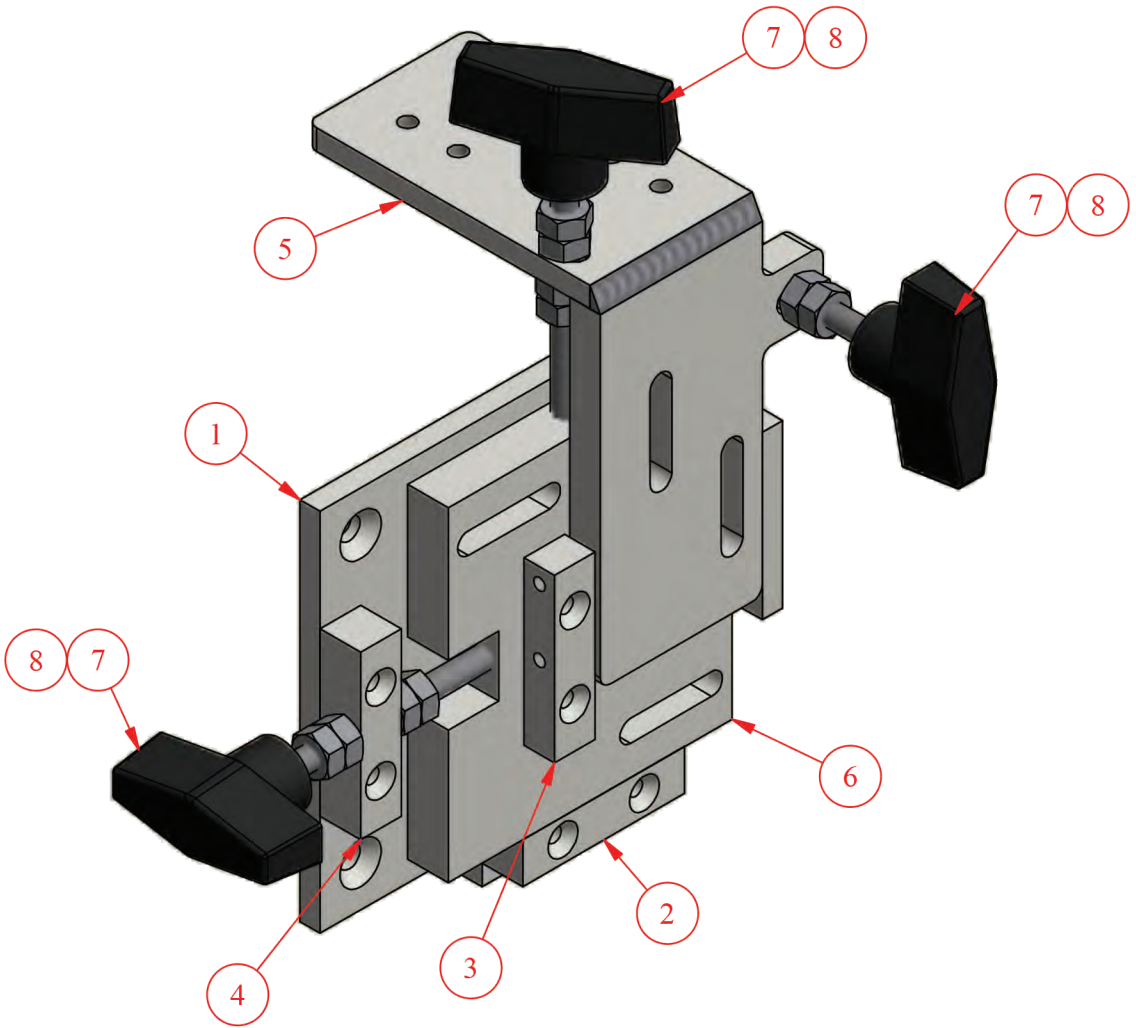
# PART NO. TT284

## SWITCH PANEL



ITEM	ITEM QTY	PART NUMBER	TITLE
1	1	TT136-A	OPERATOR PANEL
2	1	384474	GREEN PUSH BUTTON
3	1	384806	YELLOW PUSH BUTTON
4	1	385260	MECHANICAL AIR VALVE

# PART NO. T-3AHS ADJUSTABLE HEAT SYSTEM

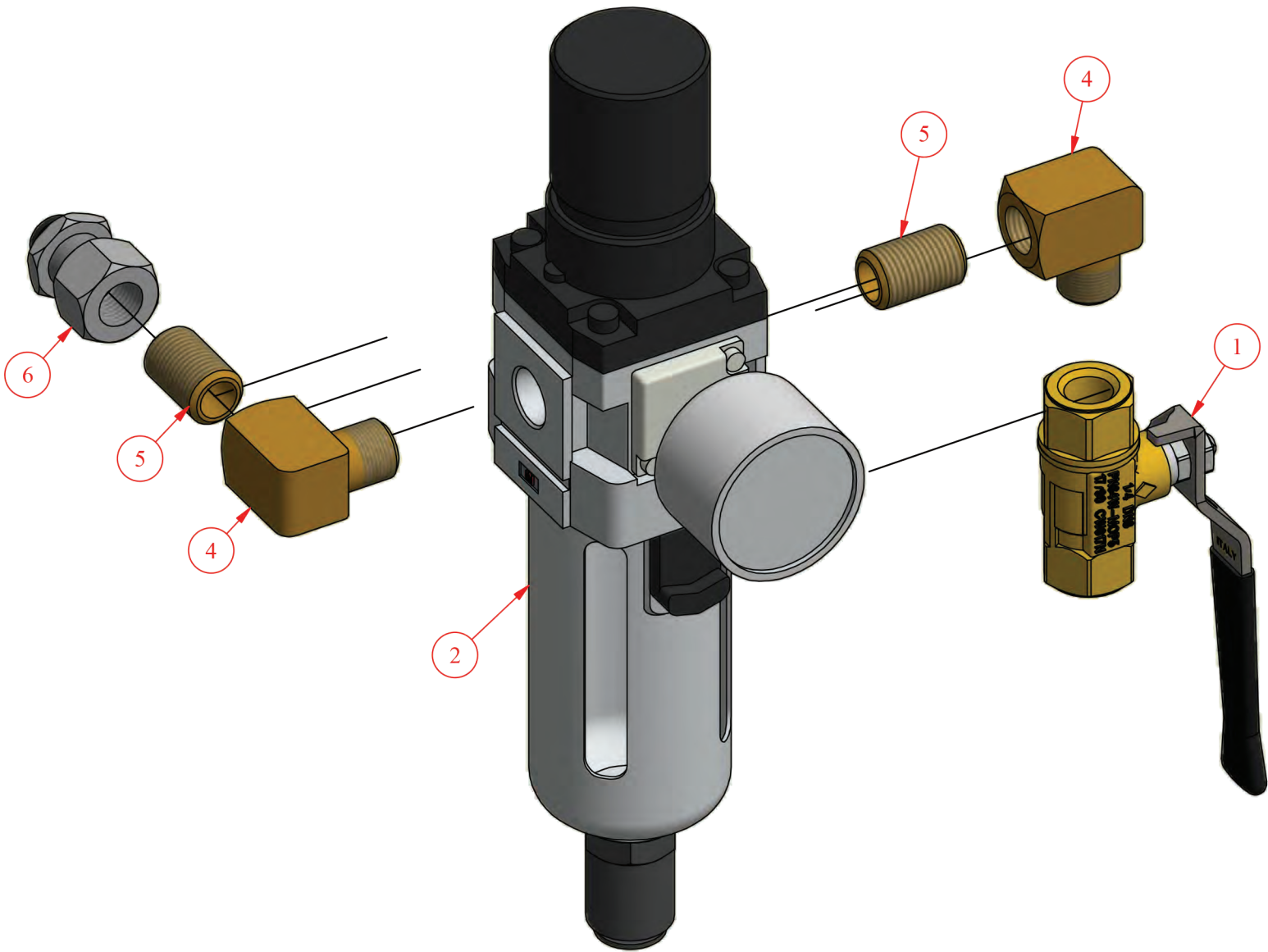


ITEM	ITEM QTY	PART NUMBER	TITLE
1	1	T-3AHS-1	HEAT SYSTEM MOUNTING PLATE
2	1	TT155	HEAT SYSTEM ADJUSTMENT GUIDE
3	1	TT160	HEAT SYSTEM GUIDE
4	1	TT161	HEAT SYSTEM IN/OUT ADJUSTMENT BLOCK
5	1	TT218	HEAT SYSTEM MOUNT
6	1	TT219	HEAT SYSTEM MOUNT
7	3	370510	KNOB
8	12	FAST	1/4-28 UNC HEX NUT



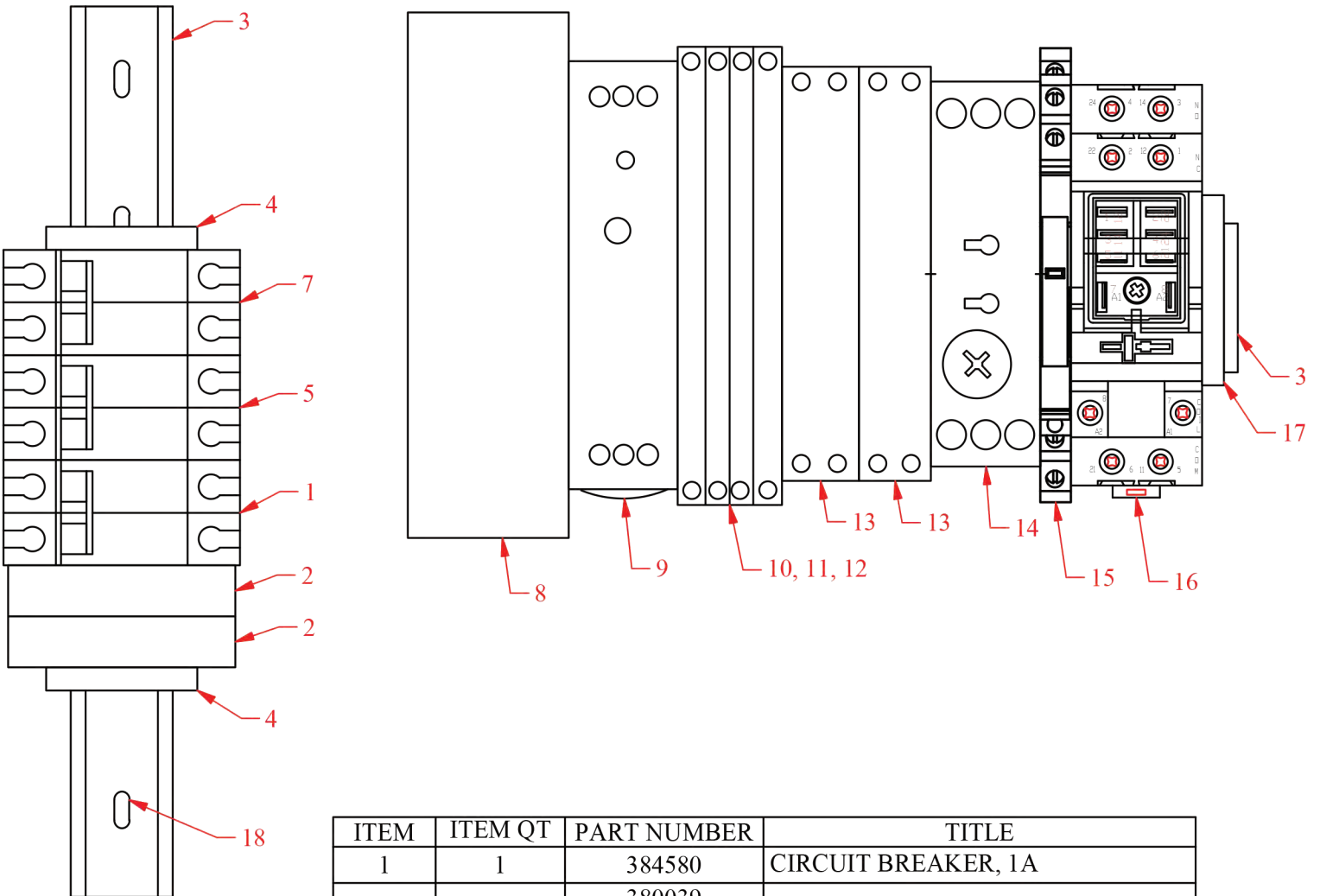
# PART NO. T3ARA

## AIR REGULATOR ASSEMBLY



ITEM	ITEM QTY	PART NUMBER	TITLE
1	1	379195	BALL VALVE
2	1	384190	FILTER/REGULATOR W/ GAUGE
4	2	3400X4	ELBOW
5	2	3326X4	NIPPLE
6	1	PMF6-02	BULKHEAD

# TT3: ELECTRICAL COMPONENTS



ITEM	ITEM QT	PART NUMBER	TITLE
1	1	384580	CIRCUIT BREAKER, 1A
2	2	380039 380040	FUSE HOLDER W/ FUSE
3	2	379392	DINRAIL
4	2	380219	END ANCHOR
5	1	386398	CIRCUIT BREAKER, 2A
7	1	389034	CICUIT BREAKER, 15A
8	1	385264	SPEED CONTROLLER
9	1	385286	POWER SUPPLY
10	4	384514	TERMINAL BLOCK
11	1	393550	END PLATE
12	3	393668	JUMPER
13	2	393670	CONTROL RELAY, 2 POLE SOCKET
14	1	393672	CONTROL RELAY, TIME DELAY
15	1	388580	CONTROL RELAY, 1 POLE
16	1	393594	CONTROL RELAY, FINDER
17	1	393674	END BARRIER
18	2	383316	DINRAIL ANGLE BRACKET